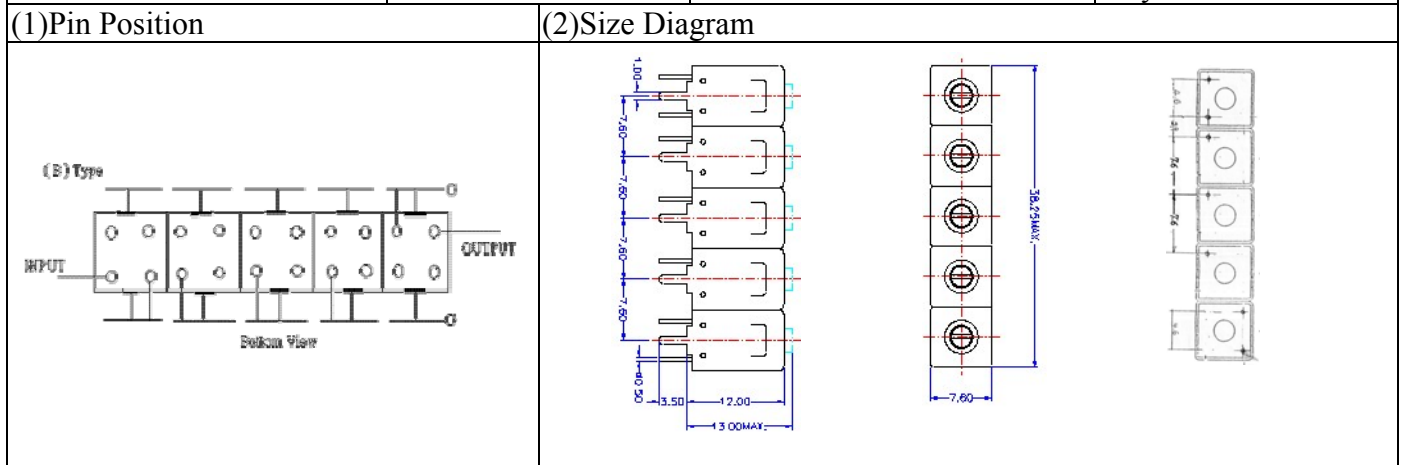


VHF UHF Helical Filter Specification Sheet

Customer Name		Temwell's Part No.	TV6511B-868M
Approval No. /dated	201204096CD	Temwell's Print Name.	6511B 868M
Work Instruction No.	201204096CD	Date	May.14.2012



(3) Electric Characteristic					
Item		Specify		Performance	
Center Freq.(Fo) +/- 0.5 %		868	MHz	868	MHz
Insertion Loss		Typ	4.5 dB	3.76	dB
-3 dB Bandwidth		Typ.	30 MHz	33.8	MHz
Sensitivity (Attenuation)	Fo - 50 MHz	Typ.	58 dBc	61	dBc
	Fo + 50 MHz	Typ.	41 dBc	44	dBc
	Fo - ()MHz	Typ.	dBc		dBc
	Fo +()MHz	Typ.	dBc		dBc
Return Loss		Min.	12 dB	20.6	dB
Ripple			< 1 dB		dB
Impedance		In / Out : 50 Ω		In / Out : 50 Ω	

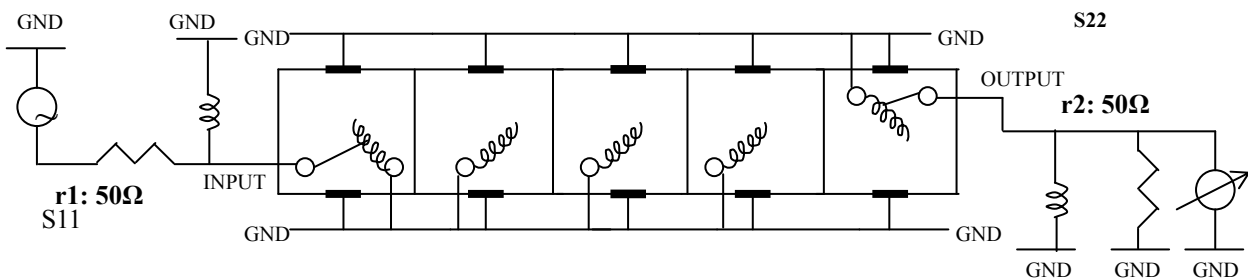
(4) Torque for Tuning Screw > 60gf · cm

(5) Temperature Condition:

Operating Temperature	0°C ~ +60°C
Storage Temperature	-20°C ~ +70°C

(6) Input Power > 1Watt

(7) Measuring Circuit: ※Easy to match Impedance S11/S22 50Ω by parallel with about(--).



(Bottom View)

Approval C.Y.Chang	Supervisor C.K.Chang	Designer C.S.Chang	Aperture size 7H5S(4*7.5)(7.58) 7H046RB4
-----------------------	-------------------------	-----------------------	--

TEMWELL CORPORATION

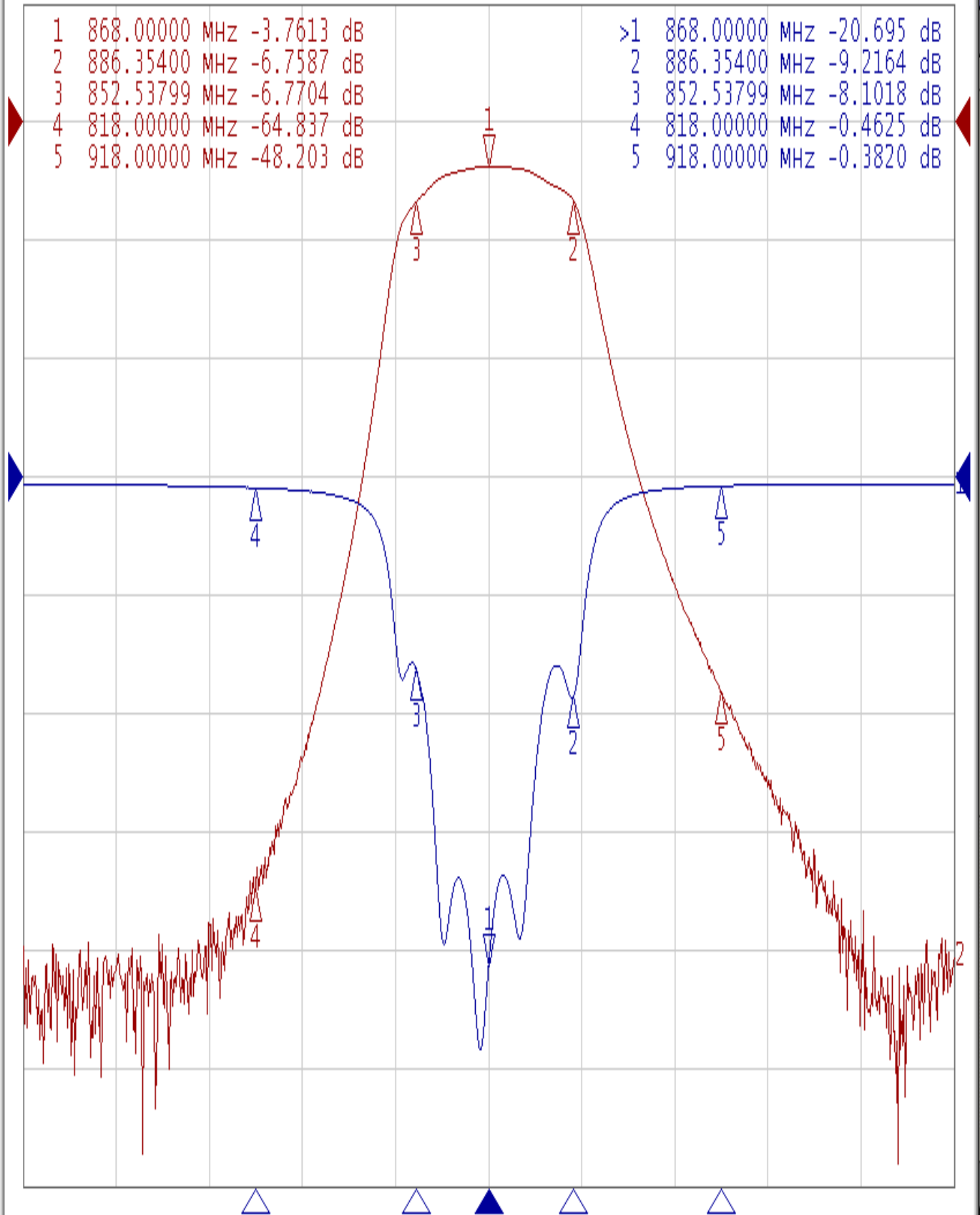
Performance-TV6511B-868M

201204096CD

▶ Tr1 S11 Log Mag 5.000dB/ Ref 0.000dB [F2]
Tr2 S21 Log Mag 10.00dB/ Ref 0.000dB [F2]

1	868.00000	MHz	-3.7613	dB
2	886.35400	MHz	-6.7587	dB
3	852.53799	MHz	-6.7704	dB
4	818.00000	MHz	-64.837	dB
5	918.00000	MHz	-48.203	dB

>1	868.00000	MHz	-20.695	dB
2	886.35400	MHz	-9.2164	dB
3	852.53799	MHz	-8.1018	dB
4	818.00000	MHz	-0.4625	dB
5	918.00000	MHz	-0.3820	dB



1 Center 868 MHz

IFBW 10 kHz

Span 200 MHz Cor !