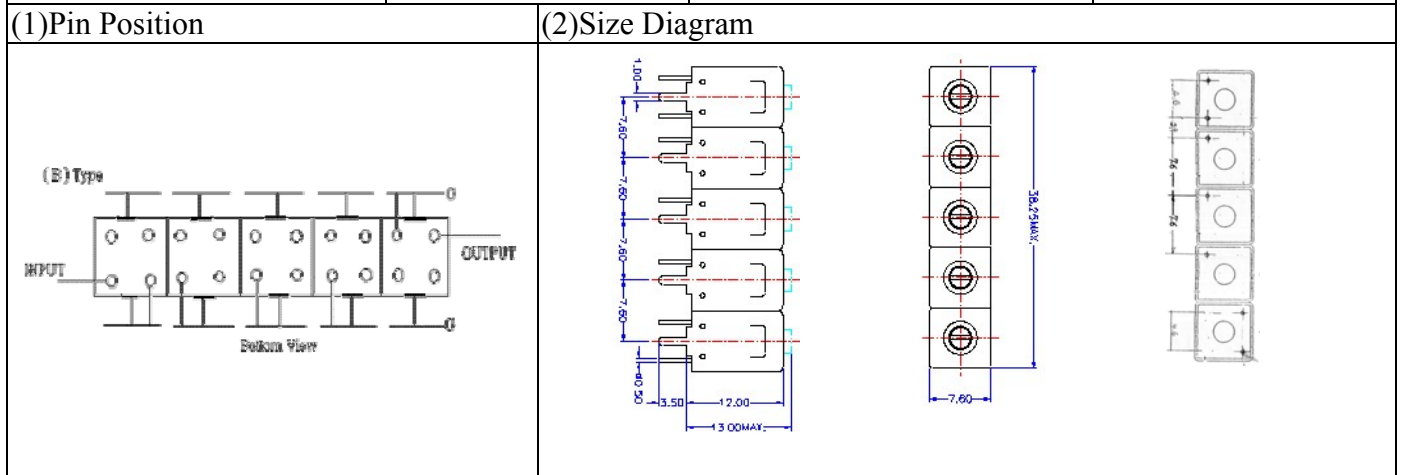


VHF UHF Helical Filter Specification Sheet

Customer Name		Temwell's Part No.	TV6513B-1450M
Approval No. /dated		Temwell's Print Name.	6513B 1450M
Work Instruction No.	201210094BD	Date	Nov.07.2012



(3) Electric Charasteric

Item	Specify	Performance
Center Freq.(Fo) +/- 0.5 %	1450 MHz	1450 MHz
Insertion Loss	Typ 2.0 dB	1.47 dB
-3 dB Bandwidth	Typ. 205 MHz	217.7 MHz
Sensitivity (Attenuation)	Fo - 200 MHz	Typ. 30 dB
	Fo + 200 MHz	Typ. 25 dB
	Fo - ()MHz	Typ. dB
	Fo +()MHz	Typ. dB
Return Loss	Min. 12 dB	29.8 dB
Ripple	< 1 dB	dB
Impedance	In / Out : 50 Ω	In / Out : 50 Ω

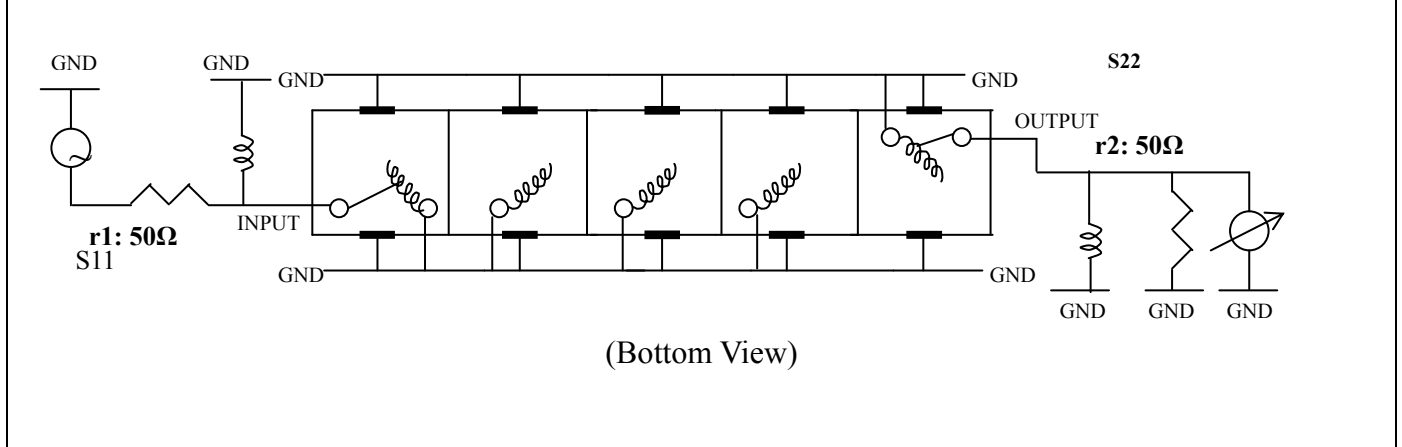
(4) Torque for Tuning Screw > 60gf • cm

(5) Temperature Condition:

Operating Temperature	0°C ~ +60°C
Storage Temperature	-20°C ~ +70°C

(6) Input Power > 1Watt

(7) Measuring Circuit: ※Easy to match Impedance S11/S22 50Ω by parallel with about(--).



Approval C.Y.Chang	Supervisor C.K.Chang	Designer C.S.Chang	Aperture size 7H5S(4*8.0)(8.04) 7H046RB6.5
-----------------------	-------------------------	-----------------------	--

TEMWELL CORPORATION

Performance-TV6513B-1450M

201210094BD

