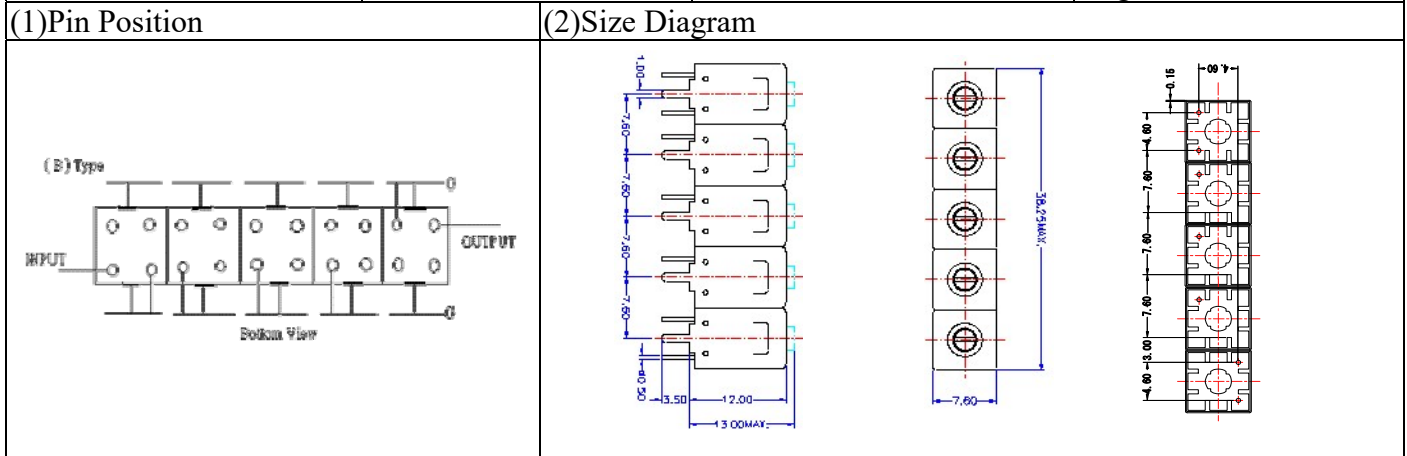


# VHF UHF Helical Filter Specification Sheet

Customer Name		Temwell's Part No.	TV65207B-240M
Approval No. /dated	201808015CD	Temwell's Print name.	65207B 240M
Work Instruction No.	201808015CD	Date	Aug.22.2018



**(3) Electric Characteristic**

Item	Specify	Performance	
Center Freq.(Fo ) +/- 0.5 %	240 MHz	240 MHz	
Insertion Loss	Typ. 2.0 dB	1.18 dB	
-3 dB Bandwidth	Typ. 53 MHz	59.4 MHz	
Sensitivity (Attenuation )	Fo - 50 MHz	Typ. 45 dBc	48 dBc
	Fo + 50 MHz	Typ. 21 dBc	25 dBc
	Fo - ( )MHz	Typ. dBc	dBc
	Fo +( )MHz	Typ. dBc	dBc
Return Loss	Min. 12 dB	19.6 dB	
Ripple	< 1 dB	dB	
Impedance	In / Out : 50 Ω	In / Out : 50 Ω	

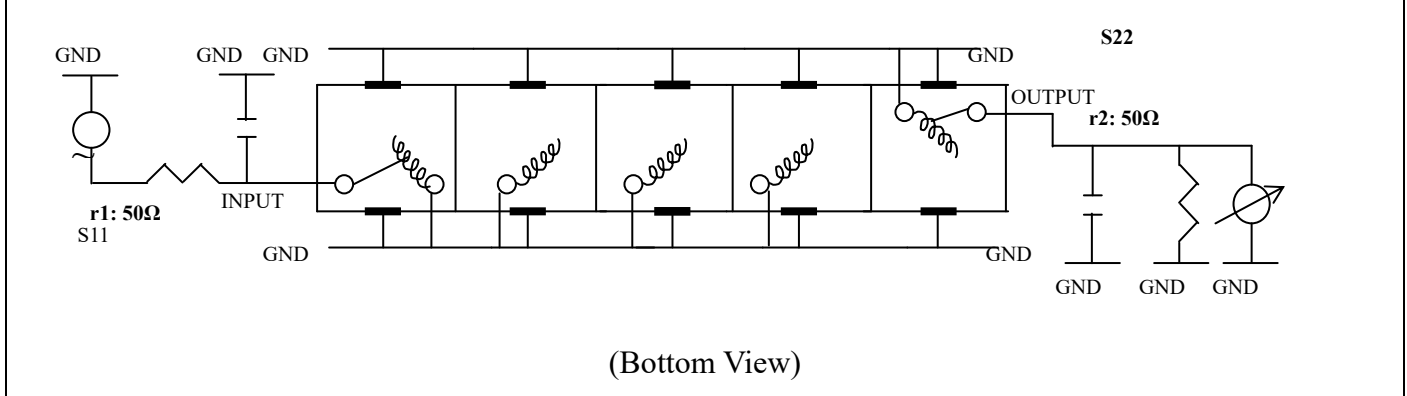
(4) Torque for Tuning Screw > 60gf · cm

(5) Temperature Condition:

Operating Temperature	0°C ~ +60°C
Storage Temperature	-20°C ~ +70°C

(6) Input Power > 1 Watt

(7) Measuring Circuit: ※Easy to match Impedance S11/S22 50Ω by parallel with about(- -).

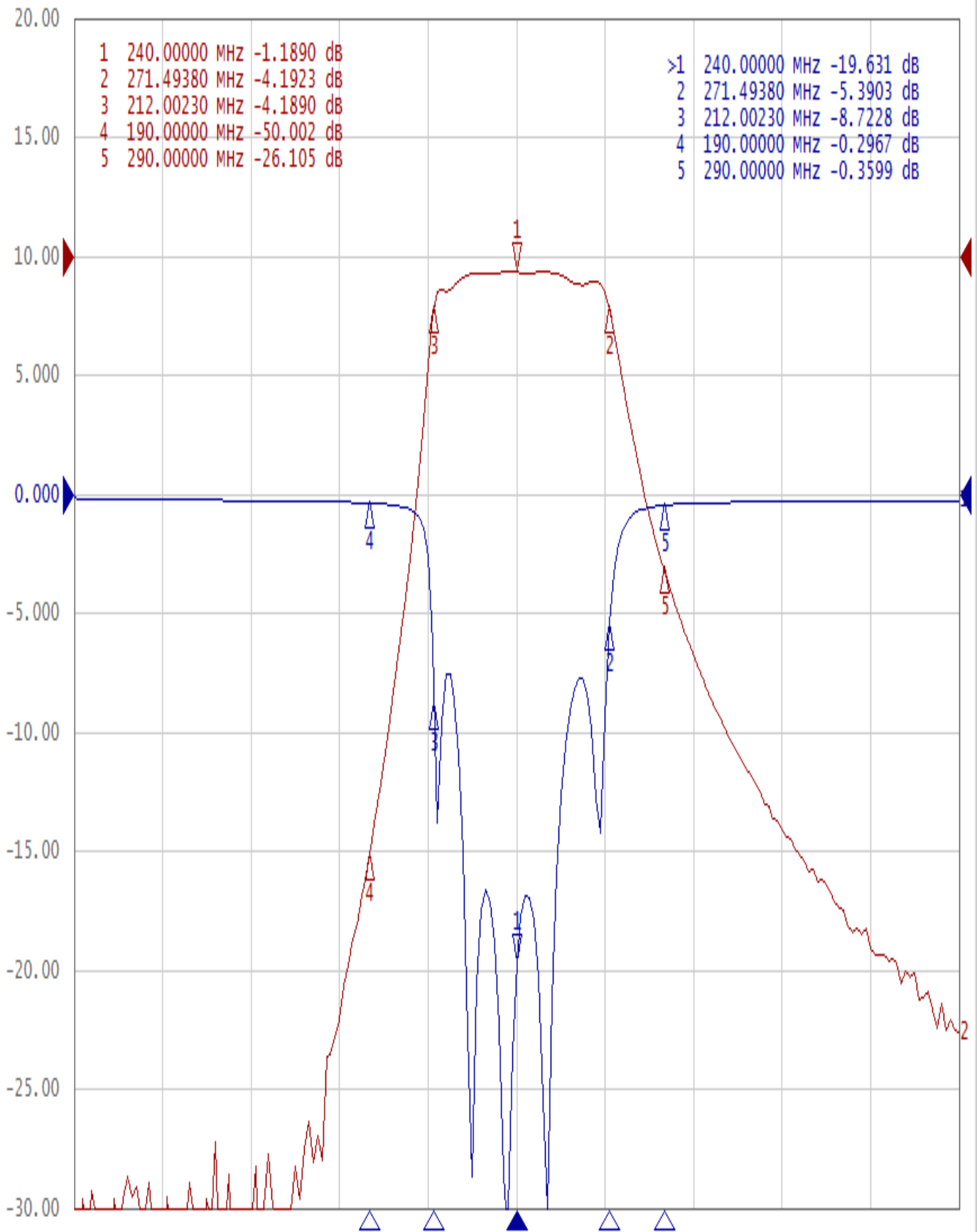


Approval C.Y.Chang	Supervisor C.K.Chang	Designer C.S.Chang	Aperture size 7H5S(4*7.5)(7.54)(J1) 7H046RB6.5
-----------------------	-------------------------	-----------------------	--

# Performance-TV65207B-240M

## 201808015CD

Tr1 S11 Log Mag 5.000dB/ Ref 0.000dB [F2]  
Tr2 S21 Log Mag 10.00dB/ Ref 0.000dB [F2]



1 Center 240 MHz

IFBW 70 kHz

Span 300 MHz Cor !