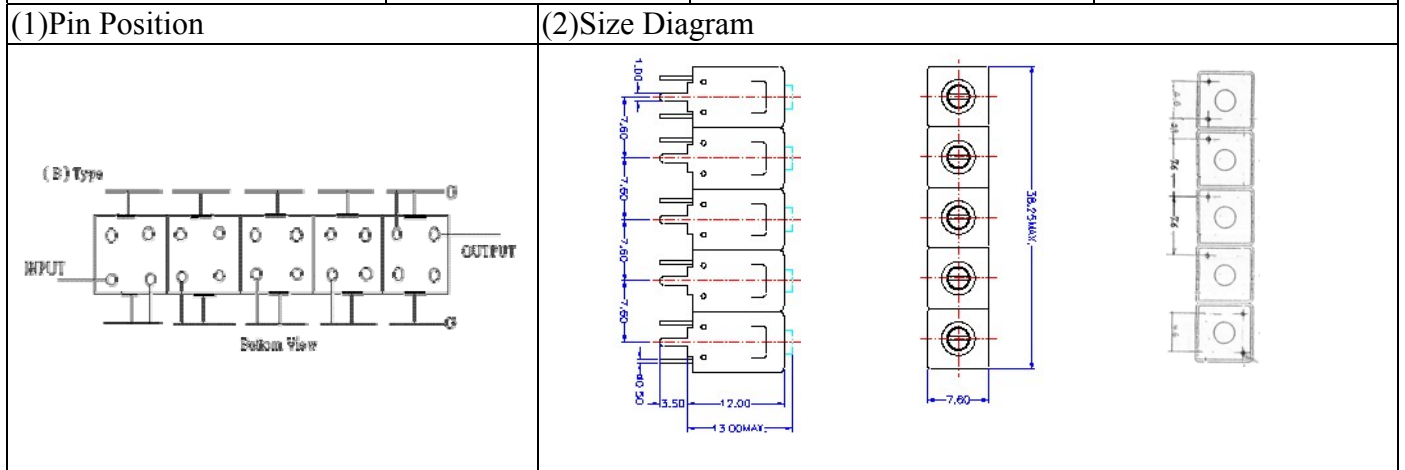


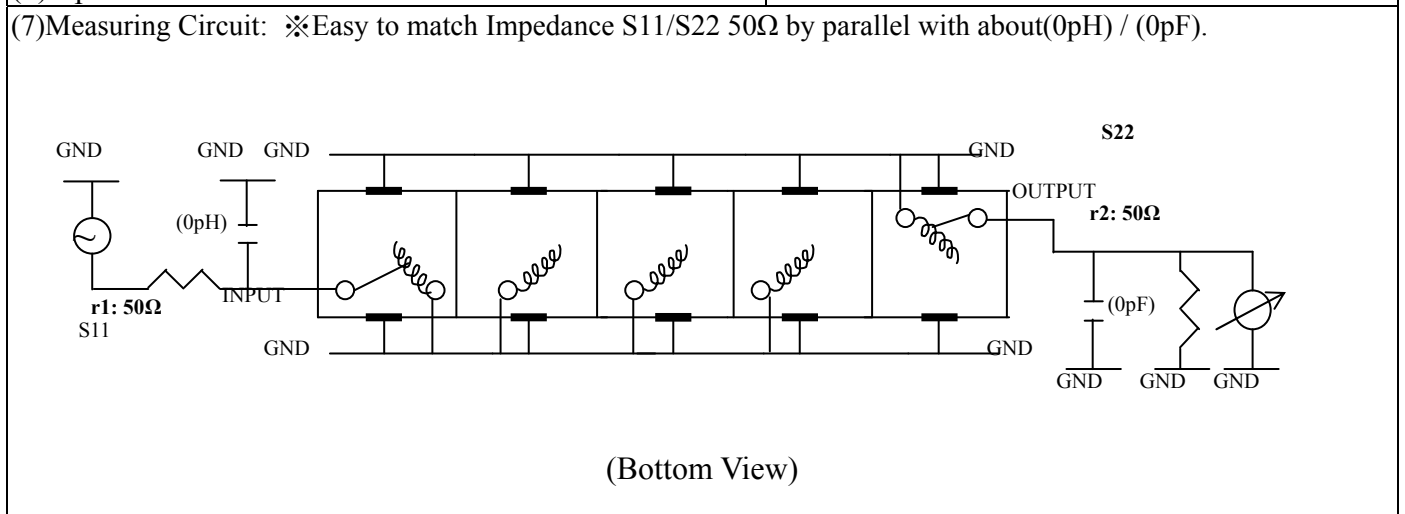
VHF UHF Helical Filter Specification Sheet

| | | | |
|----------------------|------------|-----------------------|----------------|
| Customer Name | | Temwell's Part No. | TV65208B-325M |
| Approval No. /dated | 0707262APR | Temwell's Print name. | 65208B 325M |
| Work Instruction No. | 0707262DC | Date | Jul.30.2007 |



| (3) Electric Characteristic | | | |
|------------------------------|-------------|-----------------|-----------------|
| Item | | Specify | Performance |
| Center Freq.(Fo) +/- 0.5 % | | 325 MHz | 325 MHz |
| Insertion Loss | | Typ. 2.5 dB | 1.35 dB |
| -3 dB Bandwidth | | Typ. 50 MHz | 53.0 MHz |
| Sensitivity (Attenuation) | Fo - 50 MHz | Typ. 37 dBc | 40 dBc |
| | Fo + 50 MHz | Typ. 22 dBc | 25 dBc |
| | Fo - ()MHz | Typ. dBc | dBc |
| | Fo +()MHz | Typ. dBc | dBc |
| Return Loss | | Min. 12 dB | 17.6 dB |
| Ripple | | < 1 dB | dB |
| Impedance | | In / Out : 50 Ω | In / Out : 50 Ω |
| (4) Torque for Tuning Screw | | > 60gf · cm | |

| | |
|----------------------------|---------------|
| (5) Temperature Condition: | |
| Operating Temperature | 0°C ~ +60°C |
| Storage Temperature | -20°C ~ +70°C |
| (6) Input Power | > 1Watt |

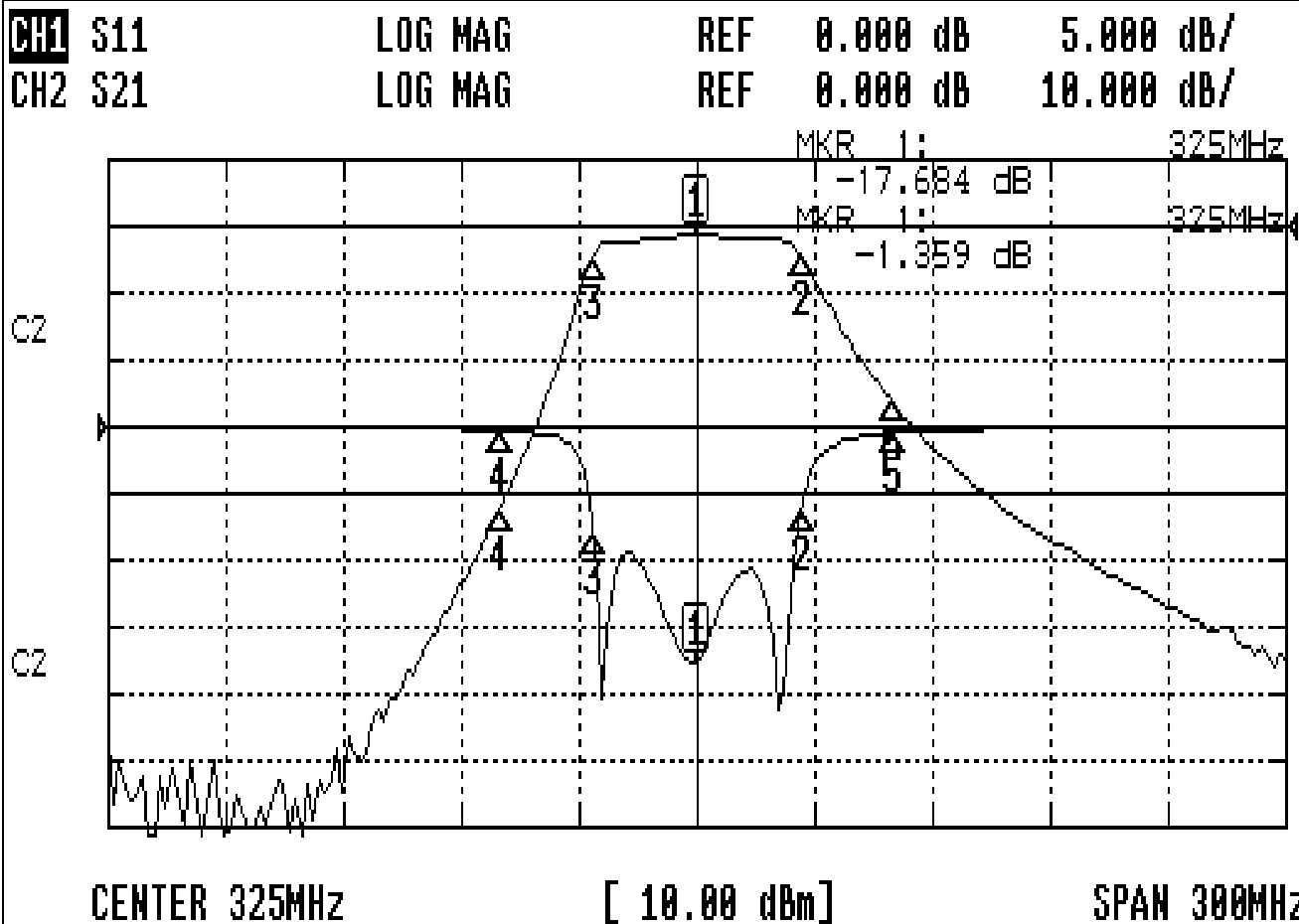


| | | | |
|-----------|------------|-----------|---------------|
| Approval | Supervisor | Designer | Aperture size |
| C.Y.Chang | C.S.Chang | C.S.Chang | 7H5S(4*6.5) |

TEMWELL CORPORATION

Performance-TV65208B-325M

0707262DC



CH1 MARKER LIST

| | | |
|----|------------|------------|
| 1: | 325.000MHz | -17.684 dB |
| 2: | 351.750MHz | -6.170 dB |
| 3: | 298.750MHz | -6.178 dB |
| 4: | 275.000MHz | -0.236 dB |
| 5: | 375.000MHz | -0.409 dB |

CH2 MARKER LIST

| | | |
|----|------------|------------|
| 1: | 325.000MHz | -1.359 dB |
| 2: | 351.750MHz | -4.331 dB |
| 3: | 298.750MHz | -4.239 dB |
| 4: | 275.000MHz | -42.170 dB |
| 5: | 375.000MHz | -26.444 dB |