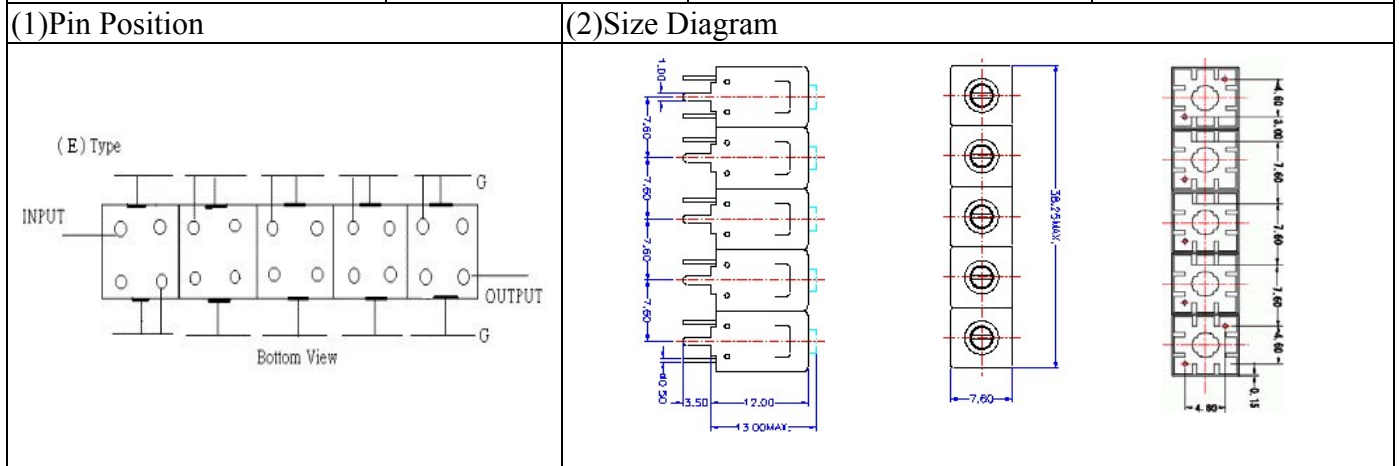


VHF UHF Helical Filter Specification Sheet

Customer Name		Temwell's Part No.	TV65347E-430M
Approval No. /dated	0906098D	Temwell's Print Name.	65226E 430M
Work Instruction No.	200906098D	Date	Jun.24.2009



(3) Electric Character

Item	Specify	Performance	
Center Freq.(Fo) +/- 0.5 %	430 MHz	430 MHz	
Insertion Loss	Typ. 4.0 dB	2.93 dB	
-3 dB Bandwidth	Typ. 20 MHz	23.9 MHz	
Sensitivity (Attenuation)	Fo - 30 MHz	Typ. 47 dBc	50 dBc
	Fo + 30 MHz	Typ. 38 dBc	41 dBc
	Fo - ()MHz	Typ. dBc	dBc
	Fo +()MHz	Typ. dBc	dBc
Return Loss	Min. 12 dB	26.9 dB	
Ripple	< 1 dB	dB	
Impedance	In / Out : 50 Ω	In / Out : 50 Ω	
(4) Torque for Tuning Screw	> 60gf · cm		

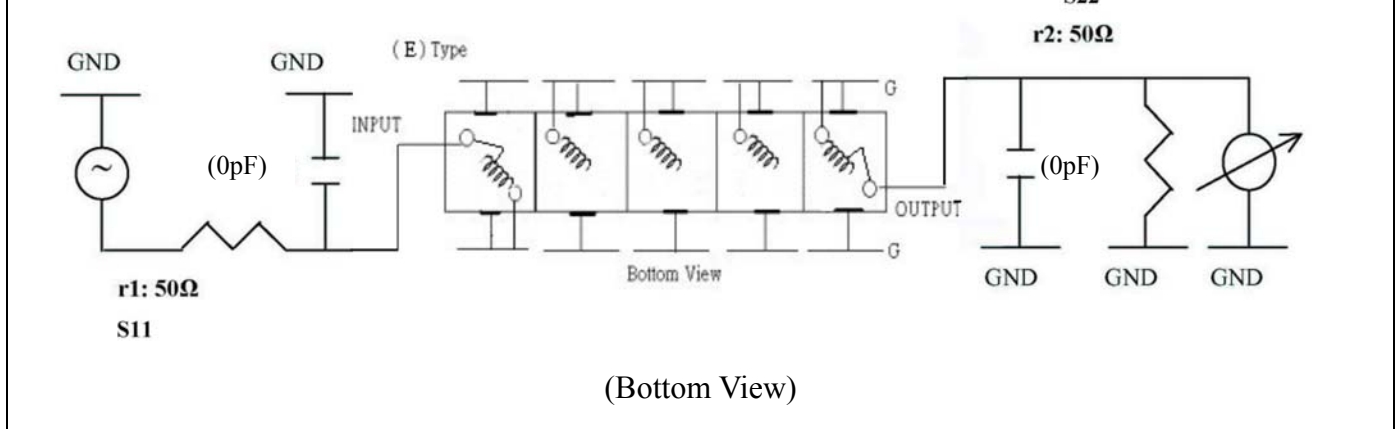
(5) Temperature Condition:

Operating Temperature	0°C ~ +60°C
Storage Temperature	-20°C ~ +70°C

(6) Input Power

> 1 Watt

(7) Measuring Circuit: ※Easy to match Impedance S11/S22 50Ω by parallel with about(0pF) / (0pF).



Approval C.Y.Chang	Supervisor C.K.Chang	Designer C.S.Chang	Aperture size 7H5S(4*5.5)(5.61) 7H046LB5
-----------------------	-------------------------	-----------------------	--

TEMWELL CORPORATION

Performance-TV65347E-430M

200906098D

