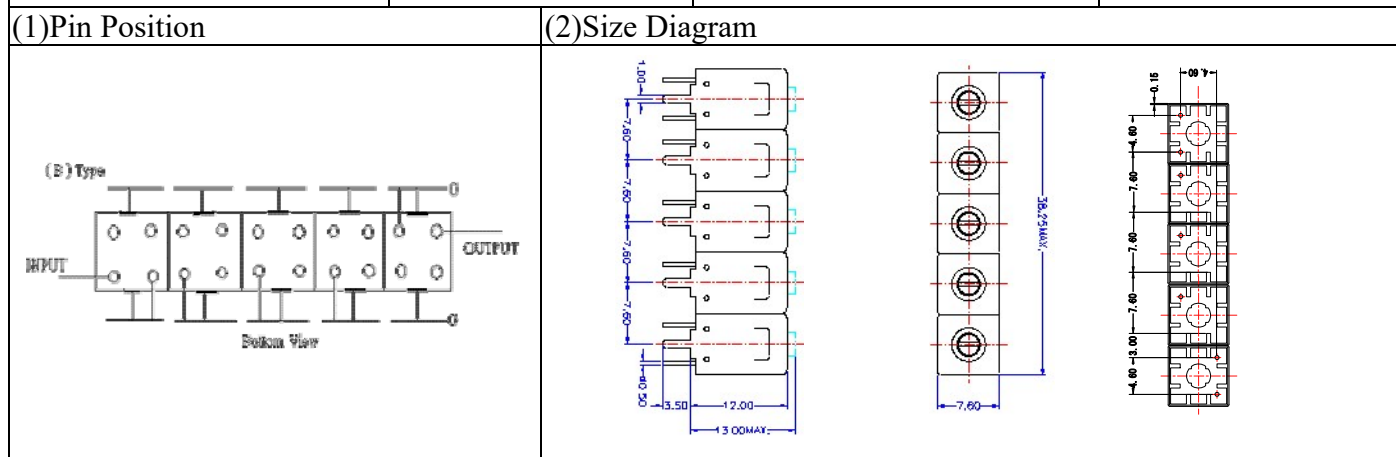


# VHF UHF Helical Filter Specification Sheet

Customer Name		Temwell's Part No.	TV65365B-1200M
Approval No. /dated	202002053CD	Temwell's Print name.	65365B 1200M
Work Instruction No.	202002053CD	Date	Mar.04.2020



### (3)Electric Charasteric

Item	Specify	Performance
Center Freq.(Fo ) +/- 0.5 %	1200 MHz	1200 MHz
Insertion Loss	Typ. 2.5 dB	1.69 dB
-3 dB Bandwidth	Typ. 120 MHz	127.2 MHz
Sensitivity (Attenuation)	Fo - 150 MHz	Typ. 52 dBc
	Fo + 150 MHz	Typ. 31 dBc
	Fo - ( )MHz	Typ. dBc
	Fo +( )MHz	Typ. dBc
Return Loss	Min. 12 dB	22.2 dB
Ripple	< 1 dB	dB
Impedance	In / Out : 50 Ω	In / Out : 50 Ω

(4)Torque for Tuning Screw > 60gf · cm

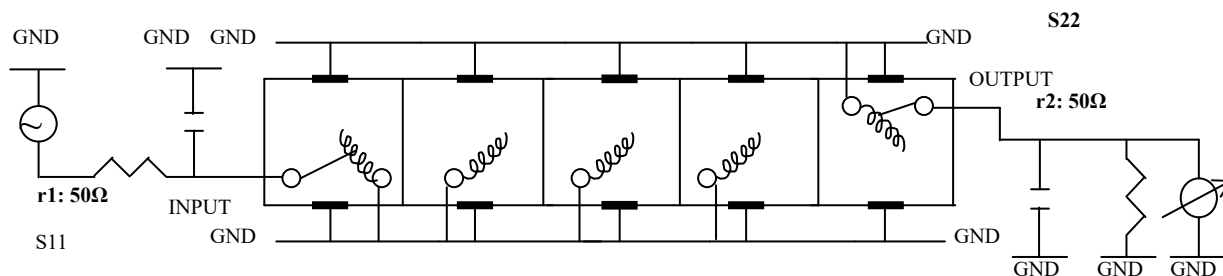
(5)Temperature Condition:

Operating Temperature 0°C ~ +60°C

Storage Temperature -20°C ~ +70°C

(6)Input Power > 1Watt

(7)Measuring Circuit: ※Easy to match Impedance S11/S22 50Ω by parallel with about(- -).



(Bottom View)

Approval	Supervisor	Designer	Aperture size
C.C.Chang	C.K.Chang	C.H.Yeh	7H5S(4*6.5)(6.55) 7H046RB6.5

TEMWELL CORPORATION

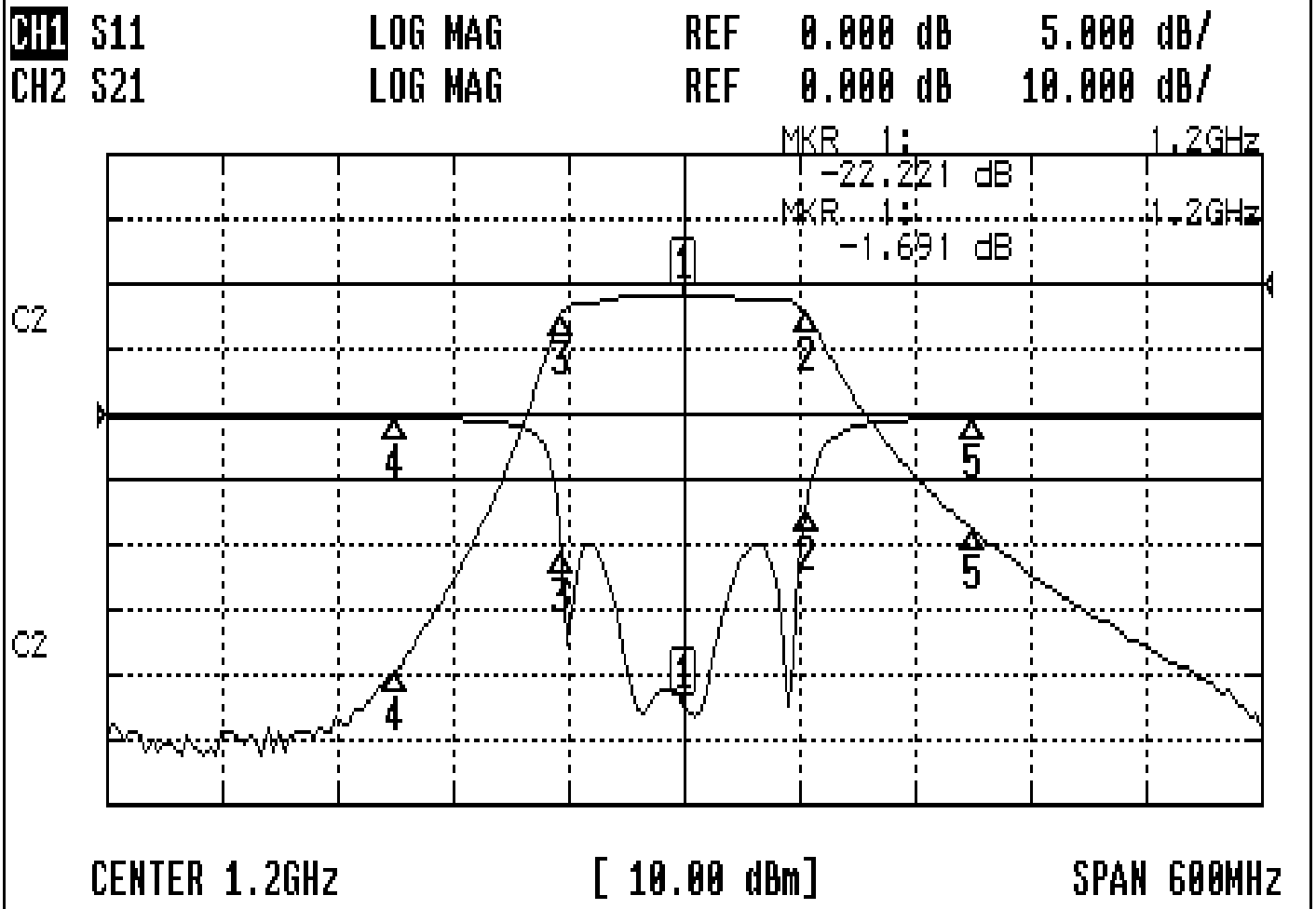
TEMWELL

Form10-7H5B Vision D

RP(C.H.Y)

# Performance-TV65365B-1200M

## 202002053CD



### CH1 MARKER LIST

1:	1.200	000GHz	-22.221	dB
2:	1.263	700GHz	-7.203	dB
3:	1.136	500GHz	-10.652	dB
4:	1.050	000GHz	-0.308	dB
5:	1.350	000GHz	-0.318	dB

### CH2 MARKER LIST

1:	1.200	000GHz	-1.693	dB
2:	1.263	700GHz	-4.674	dB
3:	1.136	500GHz	-4.620	dB
4:	1.050	000GHz	-9.264	dB
5:	1.350	000GHz	-37.728	dB