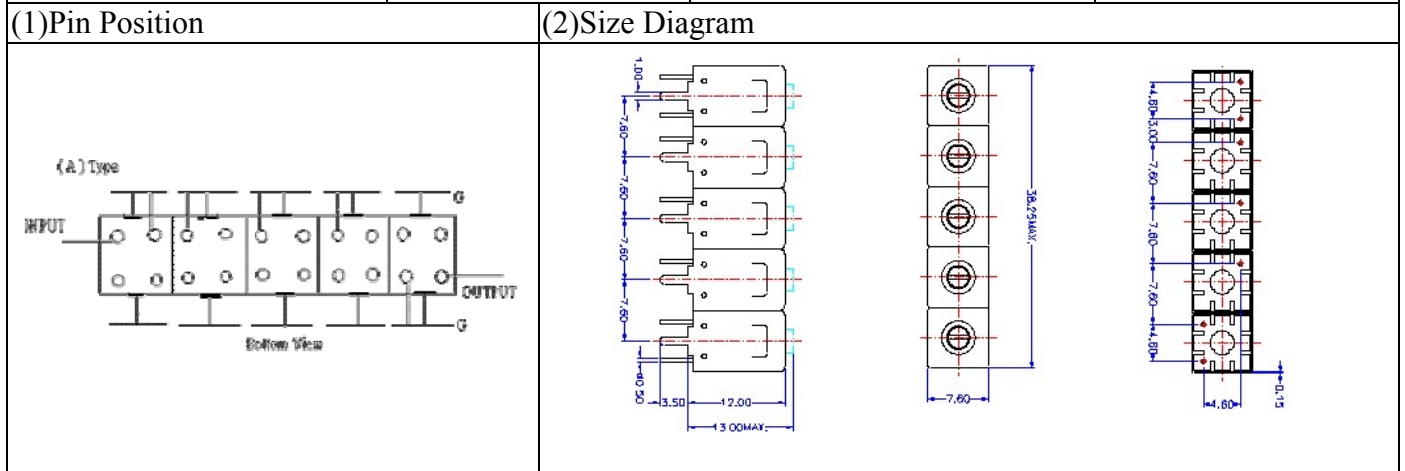


# VHF UHF Helical Filter Specification Sheet

Customer Name		Temwell's Part No.	TV6537A-223.5M-20M
Approval No. /dated	201806024CD	Temwell's Print Name.	6537A 223.5M
Work Instruction No.	201806024CD	Date	Jun.26.2018



(3) Electric Charasteric

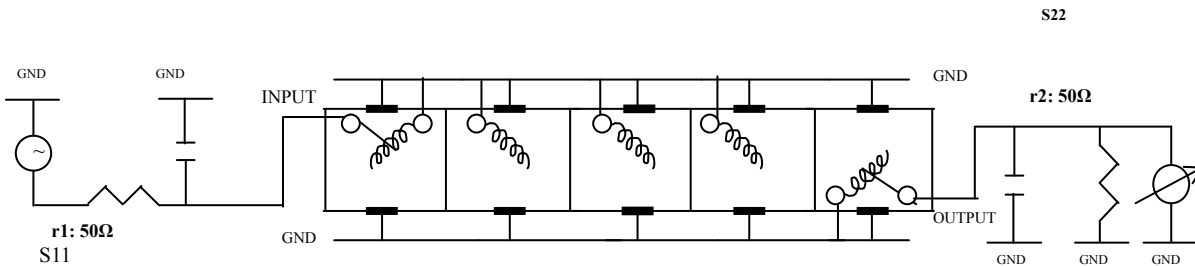
Item	Specify	Performance
Center Freq.(Fo ) +/- 0.5 %	223.5 MHz	223.5 MHz
Insertion Loss	Typ. 3.0 dB	2.28 dB
-3 dB Bandwidth	Typ. 20 MHz	23.4 MHz
Sensitivity (Attenuation)	Fo - 10 MHz	Typ. 30 dBc
	Fo +10 MHz	Typ. 20 dBc
	Fo - ( )MHz	Typ. dBc
	Fo +( )MHz	Typ. dBc
Return Loss	Min. 12 dB	24.4 dB
Ripple	< 1 dB	dB
Impedance	In / Out : 50 Ω	In / Out : 50 Ω
(4) Torque for Tuning Screw	> 60gf • cm	

(5) Temperature Condition:

Operating Temperature	0°C ~ +60°C
Storage Temperature	-20°C ~ +70°C

(6) Input Power > 1Watt

(7) Measuring Circuit: ※ Easy to match Impedance S11/S22 50Ω by parallel with about(- -).



(Bottom View)

Approval	Supervisor	Designer	Aperture size
C.Y.Chang	C.S.Chang	P.H.Chiang	7H5S-4*6.5(6.57) 7H046LB6.6/7H046LB5.5

TEMWELL CORPORATION

# Performance-TV6537A-223.5M-20M

## 201806024CD

