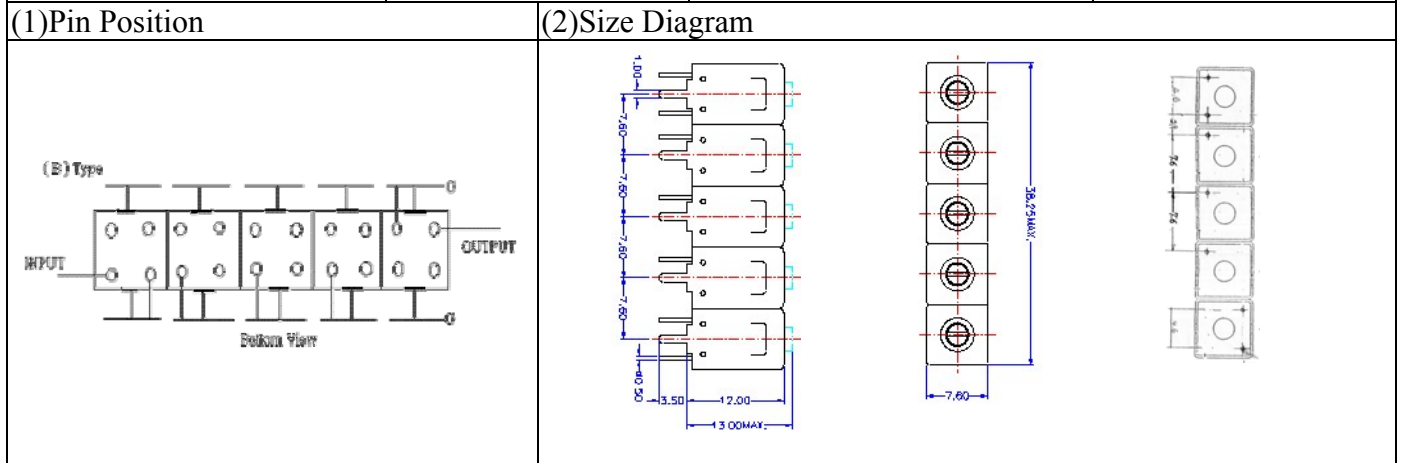


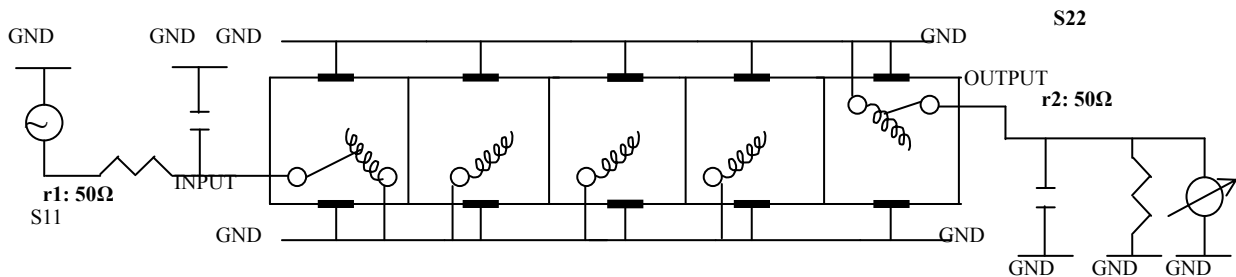
VHF UHF Helical Filter Specification Sheet

Customer Name		Temwell's Part No.	TV65382B-384M
Approval No. /dated	201004125CD	Temwell's Print name.	65382B 384M
Work Instruction No.	201004125CD	Date	May.05.07



(3) Electric Characteristic			
Item		Specify	Performance
Center Freq.(Fo) +/- 0.5 %		384 MHz	384 MHz
Insertion Loss		Typ. 2.5 dB	1.60 dB
-3 dB Bandwidth		Typ. 40 MHz	43.0 MHz
Sensitivity (Attenuation)	Fo - 50 MHz	Typ. 58 dBc	61 dBc
	Fo +50 MHz	Typ. 36 dBc	39 dBc
	Fo - (84)MHz	Typ. 74 dBc	77 dBc
	Fo +(84)MHz	Typ. 55 dBc	58 dBc
Return Loss		Min. 12 dB	20.5 dB
Ripple		< 1 dB	dB
Impedance		In / Out : 50 Ω	In / Out : 50 Ω
(4) Torque for Tuning Screw		> 60gf · cm	
(5) Temperature Condition:			
Operating Temperature		-0°C ~ +60°C	
Storage Temperature		-20°C ~ +70°C	
(6) Input Power		> 1Watt	

(7) Measuring Circuit: ※Easy to match Impedance S11/S22 50Ω by parallel with about-(--)/(--).



(Bottom View)

Approval	Supervisor	Designer	Aperture size
C.Y.Chang	C.S.Chang	P.H.Chiang	7H5S(4*7.5)(7.56) 7H046LB5

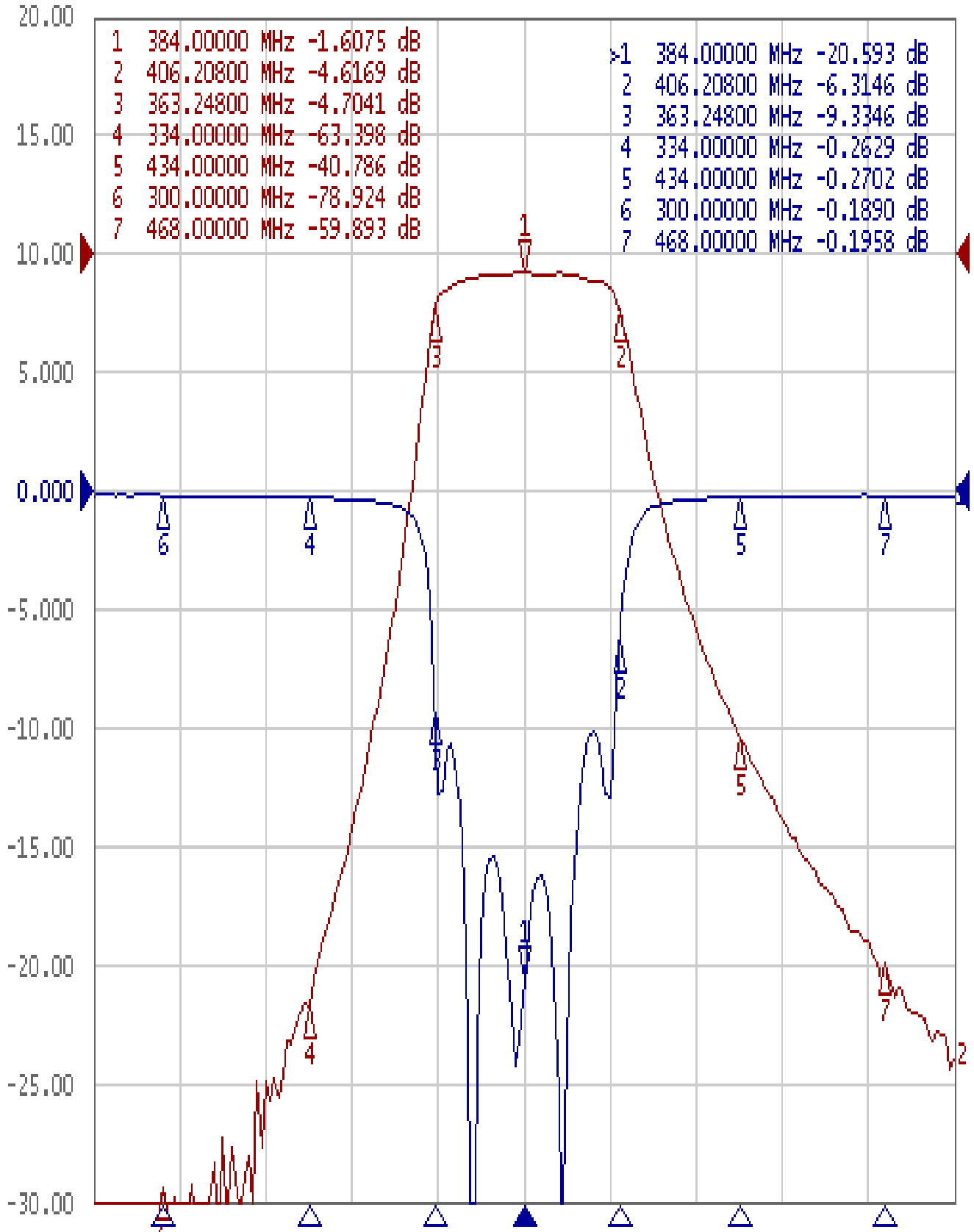
TEMWELL CORPORATION

Performance-TV65382B-384M

201004125CD

Tr1 S11 Log Mag 5.000dB/ Ref 0.000dB [F2]

Tr2 S21 Log Mag 10.00dB/ Ref 0.000dB [F2]



1 Center 384 MHz

IFBW 70 kHz

Span 200 MHz

Cor !