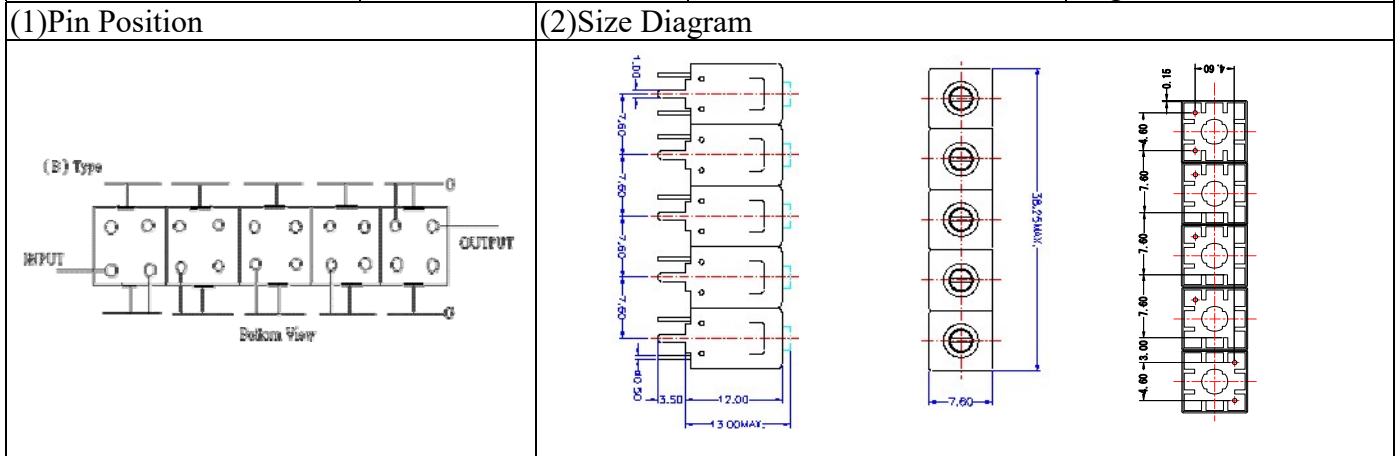


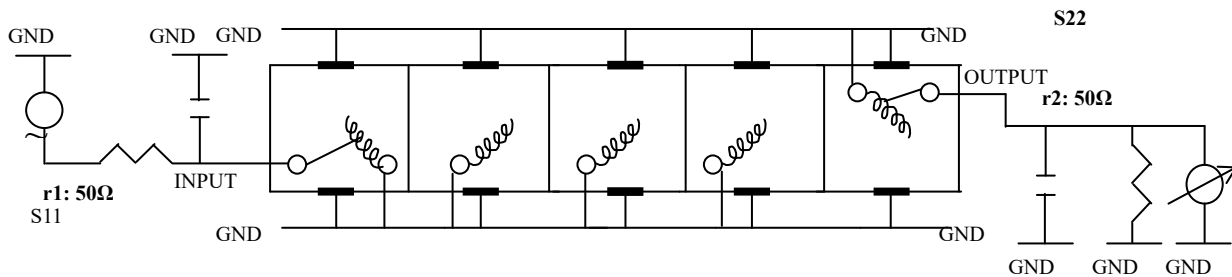
VHF UHF Helical Filter Specification Sheet

| | | | |
|----------------------|-------------|-----------------------|------------------|
| Customer Name | | Temwell's Part No. | TV65390B-273.3M |
| Approval No. /dated | 201808017CD | Temwell's Print name. | 65390B 273.3M |
| Work Instruction No. | 201808017CD | Date | Aug.24.2018 |



| | | | | | |
|-------------------------------|-------------|-----------------|--|-----------------|--|
| (3)Electric Charasteric | | | | | |
| Item | | Specify | | Performance | |
| Center Freq.(Fo) +/- 0.5 % | | 273.3 MHz | | 273.3 MHz | |
| Insertion Loss | | Typ. 2.5 dB | | 2.0 dB | |
| -3 dB Bandwidth | | Typ. 25 MHz | | 29.6 MHz | |
| Sensitivity (Attenuation) | Fo - 36 MHz | Typ. 54 dBc | | 57 dBc | |
| | Fo + 36 MHz | Typ. 36 dBc | | 39 dBc | |
| | Fo - ()MHz | Typ. dBc | | dBc | |
| | Fo +()MHz | Typ. dBc | | dBc | |
| Return Loss | | Min. 12 dB | | 22.3 dB | |
| Ripple | | < 1 dB | | dB | |
| Impedance | | In / Out : 50 Ω | | In / Out : 50 Ω | |
| (4)Torque for Tuning Screw | | | | > 60gf · cm | |
| (5)Temperature Condition: | | | | | |
| Operating Temperature | | 0°C ~ +60°C | | | |
| Storage Temperature | | -20°C ~ +70°C | | | |
| (6)Input Power | | > 1Watt | | | |

(7)Measuring Circuit: ※Easy to match Impedance S11/S22 50Ω by parallel with about(- -).



(Bottom View)

| | | | |
|-----------|------------|-----------|---------------------------------|
| Approval | Supervisor | Designer | Aperture size |
| C.Y.Chang | C.K.Chang | C.S.Chang | 7H5S(4*7.5)(7.54) 7H046RB5.5 |

TEMWELL CORPORATION

TEMWELL

Form10-7H5B Vision D

RP(C.S.C)

Performance-TV65390B-273.3M

201808017CD

