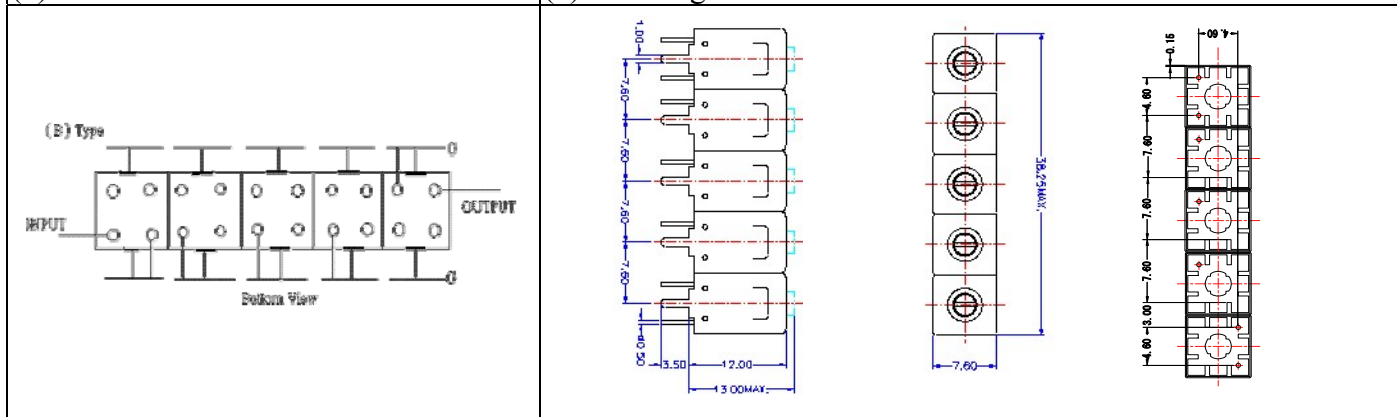


VHF UHF Helical Filter Specification Sheet

Customer Name		Temwell's Part No.	TV6542B-915M
Approval No. /dated	201806029CD	Temwell's Print name.	6542B 915M
Work Instruction No.	201806029CD	Date	Jul.20.2018

(1)Pin Position	(2)Size Diagram
------------------------	------------------------



(3)Electric Charasteric

Item	Specify	Performance
Center Freq.(Fo) +/- 0.5 %	915 MHz	915 MHz
Insertion Loss	Typ. 2.5 dB	1.98 dB
-3 dB Bandwidth	Typ. 80 MHz	84.9 MHz
Sensitivity (Attenuation)	Fo - 100 MHz	Typ. 54 dBc
	Fo + 100 MHz	Typ. 32 dBc
	Fo - ()MHz	Typ. dBc
	Fo +()MHz	Typ. dBc
Return Loss	Min. 12 dB	24.9 dB
Ripple	< 1 dB	dB
Impedance	In / Out : 50 Ω	In / Out : 50 Ω

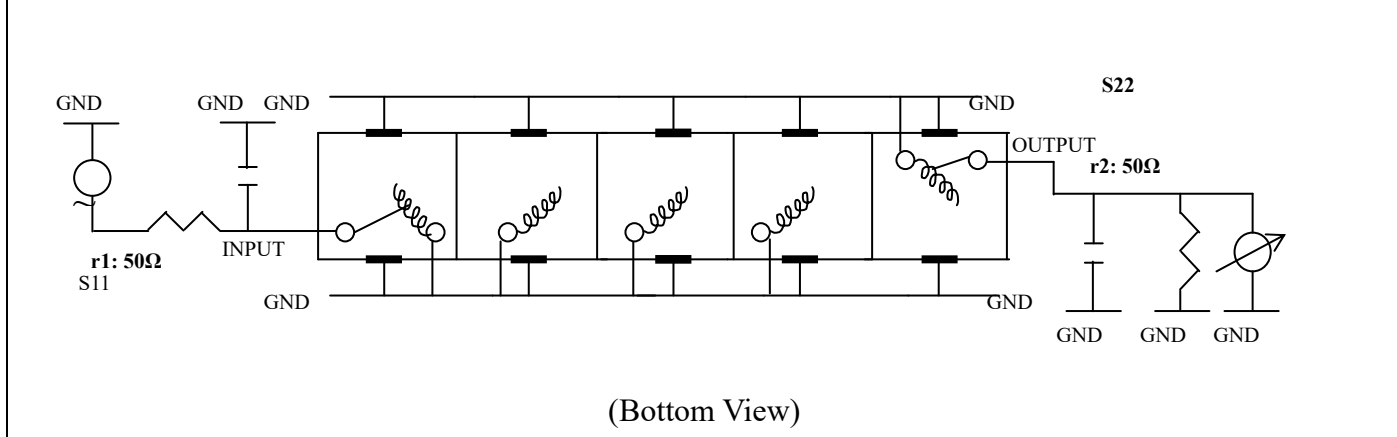
(4)Torque for Tuning Screw > 60gf · cm

(5)Temperature Condition:

Operating Temperature	0°C ~ +60°C
Storage Temperature	-20°C ~ +70°C

(6)Input Power > 1Watt

(7)Measuring Circuit: ※Easy to match Impedance S11/S22 50Ω by parallel with about(- -).



Approval C.Y.Chang	Supervisor C.K.Chang	Designer C.S.Chang	Aperture size 7H5S(4*8.0)(8.02) 7H046RB5.5
-----------------------	-------------------------	-----------------------	--

TEMWELL CORPORATION

TEMWELL Form10-7H5B Vision D RP(C.S.C)

Performance-TV6542B-915M

201806029CD

Tr1 S11 Log Mag 5.000dB/ Ref 0.000dB [F2]
Tr2 S21 Log Mag 10.00dB/ Ref 0.000dB [F2]

