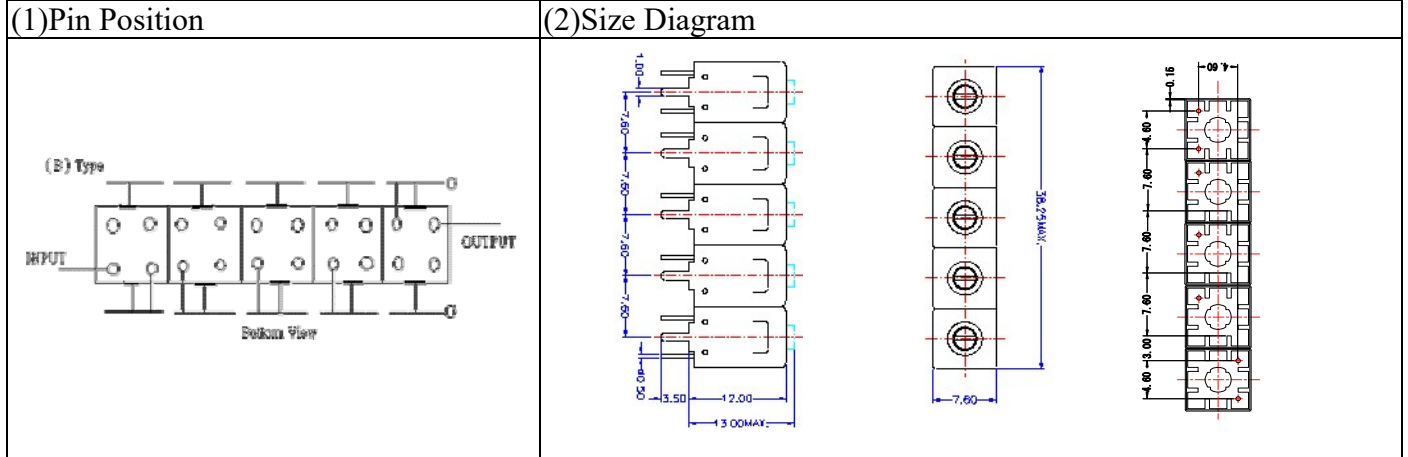


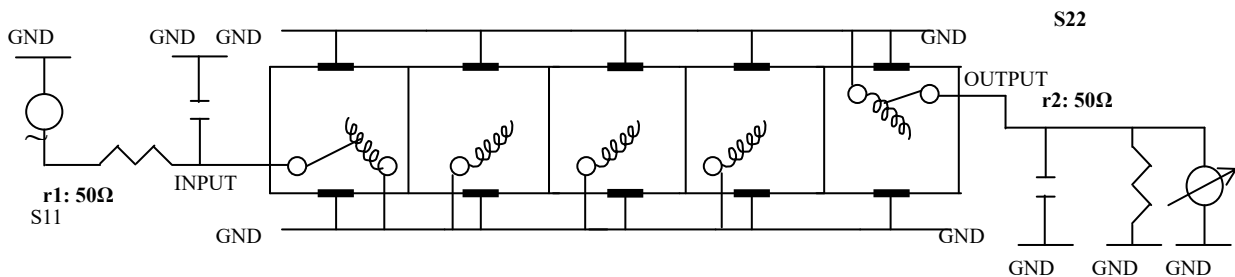
# VHF UHF Helical Filter Specification Sheet

Customer Name		Temwell's Part No.	TV6545B-1282M
Approval No. /dated	201806032CD	Temwell's Print name.	6545B 1282M
Work Instruction No.	201806032CD	Date	Jul.31.2018



(3) Electric Characteristic		Specify	Performance
Item			
Center Freq.(Fo ) +/- 0.5 %		1282 MHz	1282 MHz
Insertion Loss		Typ. 3.0 dB	2.21 dB
-3 dB Bandwidth		Typ. 80 MHz	92.5 MHz
Sensitivity (Attenuation )	Fo - 200 MHz	Typ. 70 dBc	75 dBc
	Fo + 200 MHz	Typ. 52 dBc	57 dBc
	Fo - ( )MHz	Typ. dBc	dBc
	Fo +( )MHz	Typ. dBc	dBc
Return Loss		Min. 12 dB	23.8 dB
Ripple		< 1 dB	dB
Impedance		In / Out : 50 Ω	In / Out : 50 Ω
(4) Torque for Tuning Screw		> 60gf • cm	
(5) Temperature Condition:			
Operating Temperature		0°C ~ +60°C	
Storage Temperature		-20°C ~ +70°C	
(6) Input Power		> 1 Watt	

(7) Measuring Circuit: ※Easy to match Impedance S11/S22 50Ω by parallel with about(- -).



(Bottom View)

Approval	Supervisor	Designer	Aperture size
C.Y.Chang	C.K.Chang	C.S.Chang	7H5S(4*5.5)(5.58) 7H046RB5.5

TEMWELL CORPORATION

TEMWELL

Form10-7H5B Vision D

RP(C.S.C)

# Performance-TV6545B-1282M

## 201806032CD

