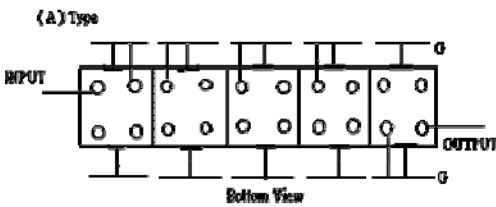
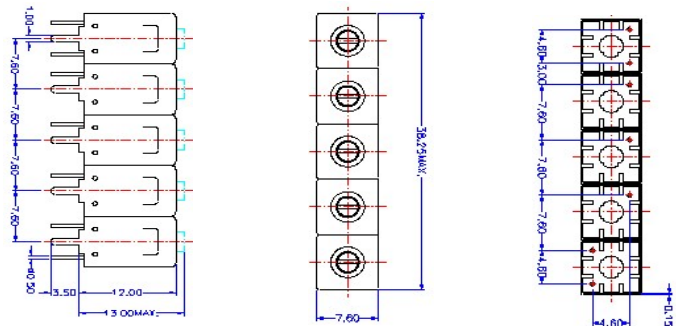


VHF UHF Helical Filter Specification Sheet

Customer Name		Temwell's Part No.	TV6568A-680.5M
Approval No. /dated	201912022CD	Temwell's Print name.	6568A 680.55M
Work Instruction No.	201912022CD	Date	Dec.24.2019

(1)Pin Position	(2)Size Diagram
	

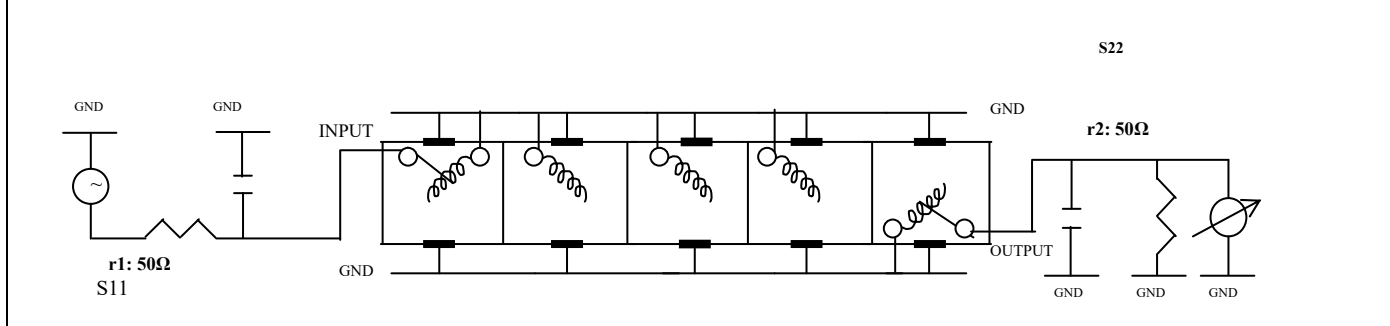
(3)Electric Character		Item	Specify	Performance
		Center Freq.(Fo) +/- 0.5 %	680.5 MHz	680.5 MHz
		Insertion Loss	Typ. 3.5 dB	2.68 dB
		-3 dB Bandwidth	Typ 35 MHz	38.1 MHz
Sensitivity (Attenuation)	Fo- 50 MHz	Typ. 50 dBc		55 dBc
	Fo+ 50 MHz	Typ. 32 dBc		37 dBc
	Fo- MHz	Typ. dBc		dBc
	Fo+ MHz	Typ. dBc		dBc
		Return Loss	Min. 12 dB	29.3 dB
		Ripple	< 1 dB	dB
		Impedance	In / Out : 50 Ω	In / Out : 50 Ω

(4)Torque for Tuning Screw > 60gf • cm

(5)Temperature Condition:	
Operating Temperature	0°C ~ +60°C
Storage Temperature	-20°C ~ +70°C

(6)Input Power > 1Watt

(7)Measuring Circuit: ※Easy to match Impedance S11/S22 50Ω by parallel with about(- -).



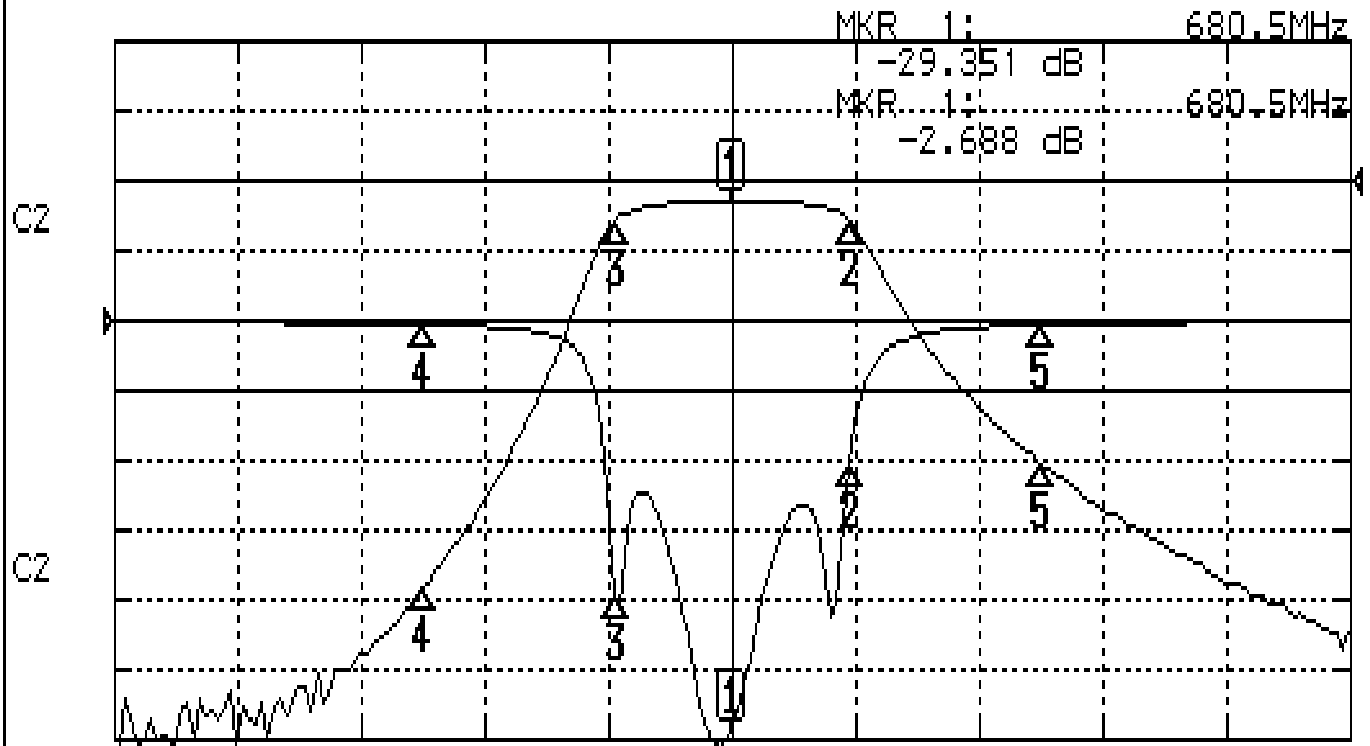
(Bottom View)

Approval	Supervisor	Designer	Aperture size
C.Y.Chang	C.K.Chang	Z.Y.Wang	7H5S(4*6.5)(6.53) 7H046LB5
TEMWELL CORPORATION			

Performance- TV6568A-680.5M

201912022CD

CH1 S11 LOG MAG REF 0.000 dB 5.000 dB/
CH2 S21 LOG MAG REF 0.000 dB 10.000 dB/



CENTER 680.5MHz

[10.00 dBm]

SPAN 200MHz

CH1 MARKER LIST

1	680.500MHz	-29.351	dB
2	699.500MHz	-19.957	dB
3	661.470MHz	-19.526	dB
4	630.500MHz	-10.258	dB
5	730.500MHz	-0.293	dB

CH2 MARKER LIST

1	680.500MHz	-2.688	dB
2	699.500MHz	-1.690	dB
3	661.470MHz	-1.690	dB
4	630.500MHz	-5.250	dB
5	730.500MHz	-40.448	dB