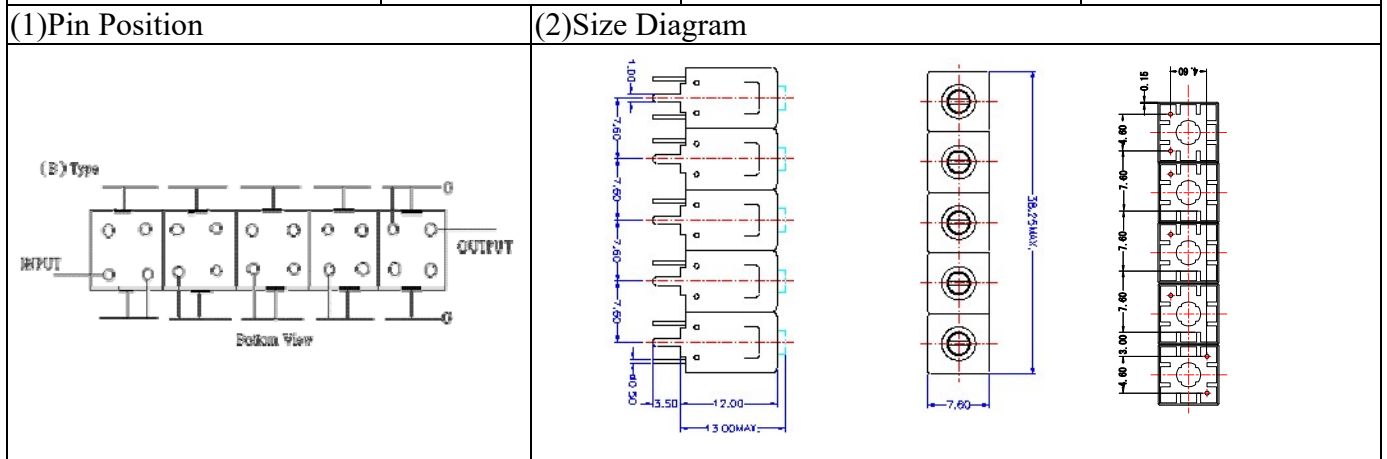


VHF UHF Helical Filter Specification Sheet

Customer Name		Temwell's Part No.	TV6570B-1474.5M
Approval No. /dated	201912024CD	Temwell's Print name.	6570B 1474.5M
Work Instruction No.	201912024CD	Date	Jan.10.2020



(3) Electric Characteristic

Item	Specify	Performance	
Center Freq.(Fo) +/- 0.5 %	1474.5 MHz	1474.5 MHz	
Insertion Loss	Typ. 3.5 dB	2.54 dB	
-3 dB Bandwidth	Typ. 85 MHz	89.2 MHz	
Sensitivity (Attenuation)	Fo - 100 MHz	Typ. 47 dBc	52 dBc
	Fo +100 MHz	Typ. 31 dBc	36 dBc
	Fo - ()MHz	Typ. dBc	dBc
	Fo +()MHz	Typ. dBc	dBc
Return Loss	Min. 12 dB	24.0 dB	
Ripple	< 1 dB	dB	
Impedance	In / Out : 50 Ω	In / Out : 50 Ω	

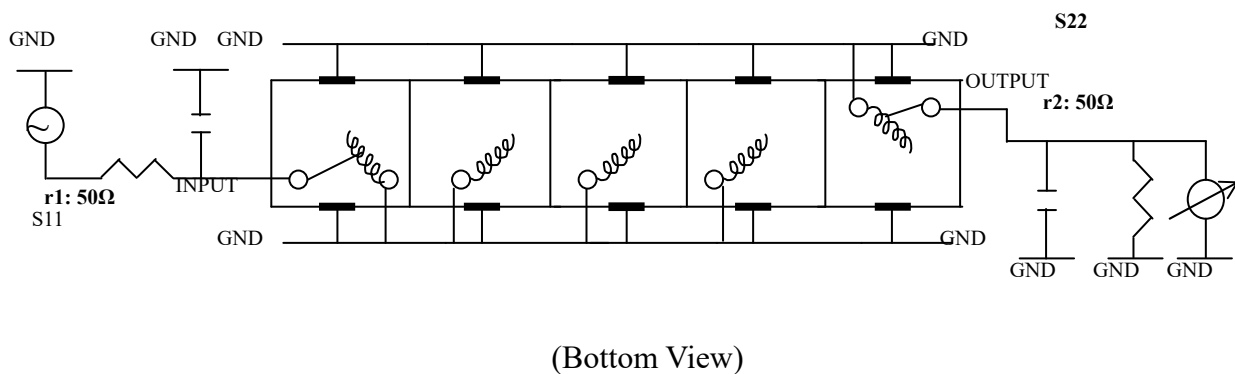
(4) Torque for Tuning Screw > 60gf • cm

(5) Temperature Condition:

Operating Temperature	0°C ~ +60°C
Storage Temperature	-20°C ~ +70°C

(6) Input Power > 1Watt

(7) Measuring Circuit: ※Easy to match Impedance S11/S22 50Ω by parallel with about(- -).



Approval	Supervisor	Designer	Aperture size
C.Y.Chang	C.K.Chang	C.H.Yeh	7H5S(4*5.6)(5.68) 7H046RB5.5 (J1)

TEMWELL CORPORATION

TEMWELL

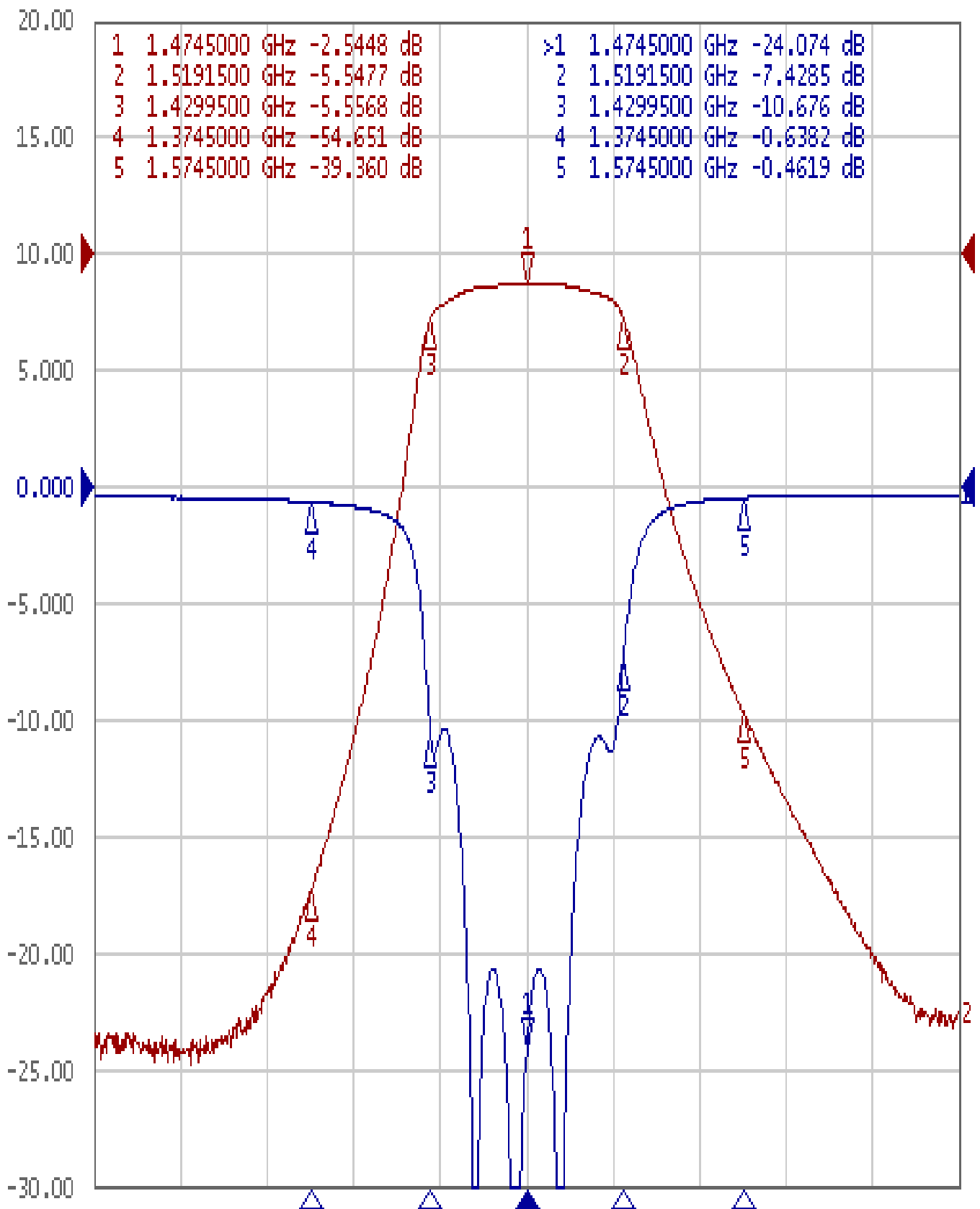
Form10-7H5B Vision D

RP(C.H.Y)

Performance-TV6570B-1474.5M

201912024CD

Tr1 S11 Log Mag 5.000dB/ Ref 0.000dB [F2]
Tr2 S21 Log Mag 10.00dB/ Ref 0.000dB [F2]



1 Center 1.4745 GHz

IFBW 10 kHz

Span 400 MHz Cor !