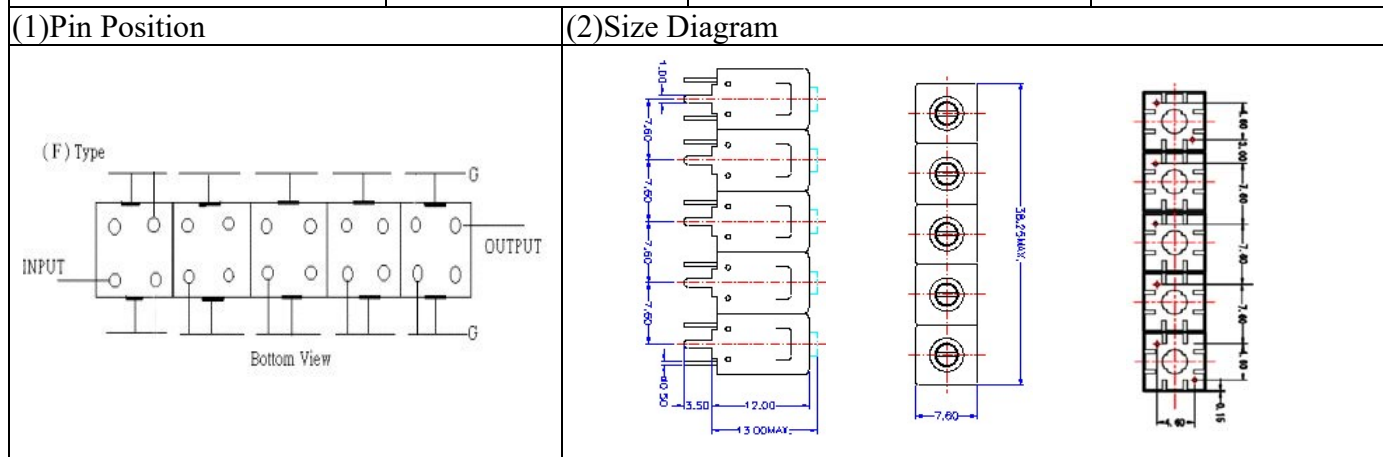


VHF UHF Helical Filter Specification Sheet

Customer Name		Temwell's Part No.	TV6593F-530M
Approval No. /dated		Temwell's Print Name.	6593F 530M
Work Instruction No.	202010031CD	Date	Nov.10.2020



(3) Electric Character

Item	Specify	Performance	
Center Freq.(Fo) +/- 0.5 %	530 MHz	530 MHz	
Insertion Loss	Typ. 2.0 dB	1.01 dB	
-3 dB Bandwidth	Typ. 120 MHz	123.8 MHz	
Sensitivity (Attenuation)	Fo - 150 MHz	Typ. 64 dBc	74 dBc
	Fo +150 MHz	Typ. 37 dBc	42 dBc
	Fo - ()MHz	Typ. dB	dB
	Fo +()MHz	Typ. dB	dB
Return Loss	Min. 12 dB	18.2 dB	
Ripple	< 1 dB	dB	
Impedance	In / Out : 50 Ω	In / Out : 50 Ω	

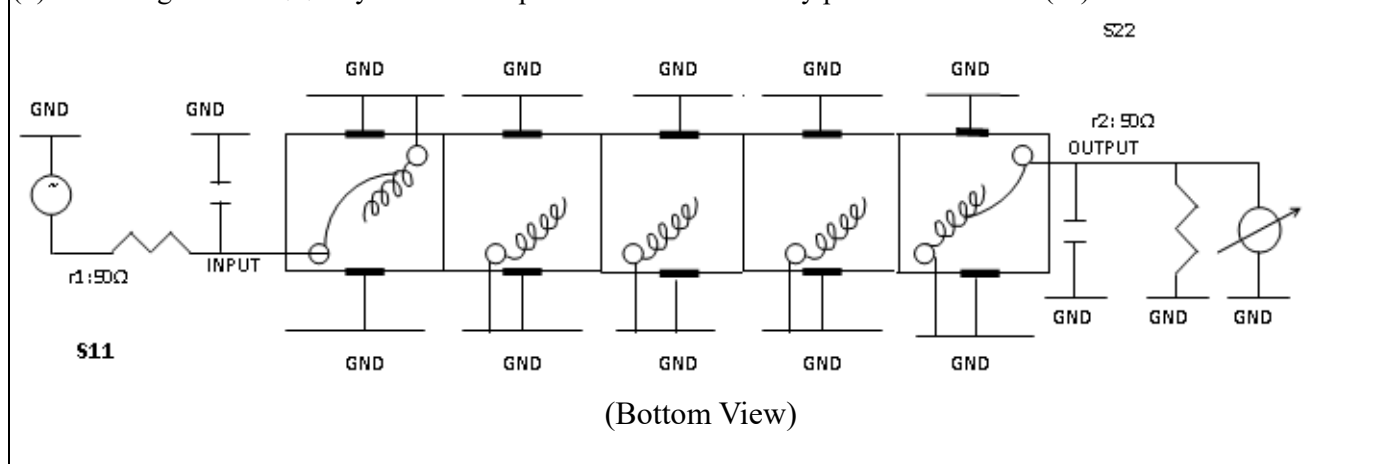
(4) Torque for Tuning Screw > 60gf • cm

(5) Temperature Condition:

Operating Temperature	0°C ~ +60°C
Storage Temperature	-20°C ~ +70°C

(6) Input Power > 1 Watt

(7) Measuring Circuit: ※Easy to match Impedance S11/S22 50Ω by parallel with about(- -).



Approval	Supervisor	Designer	Aperture size
C.C.Chang	C.K.Chang	W.H.Wang	7H5S(4*8.0)(8.02) 7H046RB6.5(J1)

TEMWELL CORPORATION

TEMWELL

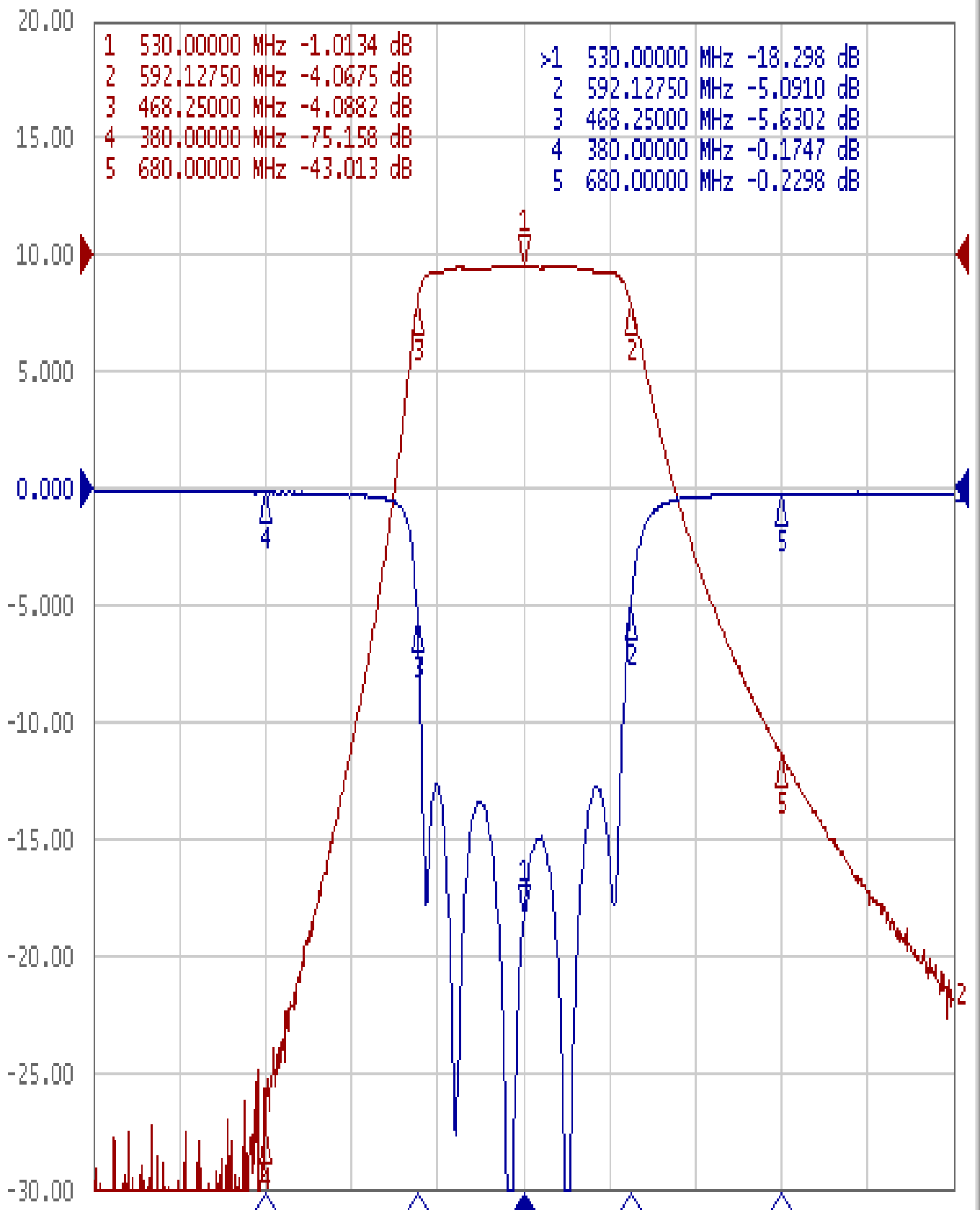
Form10-7H5F Vision D

RP(W.H.W)

Performance-TV6593F-530M

202010031CD

▶ Tr1 S11 Log Mag 5.000dB/ Ref 0.000dB [F2]
Tr2 S21 Log Mag 10.00dB/ Ref 0.000dB [F2]



1 Center 530 MHz

IFBW 70 kHz

Span 500 MHz

Cor !