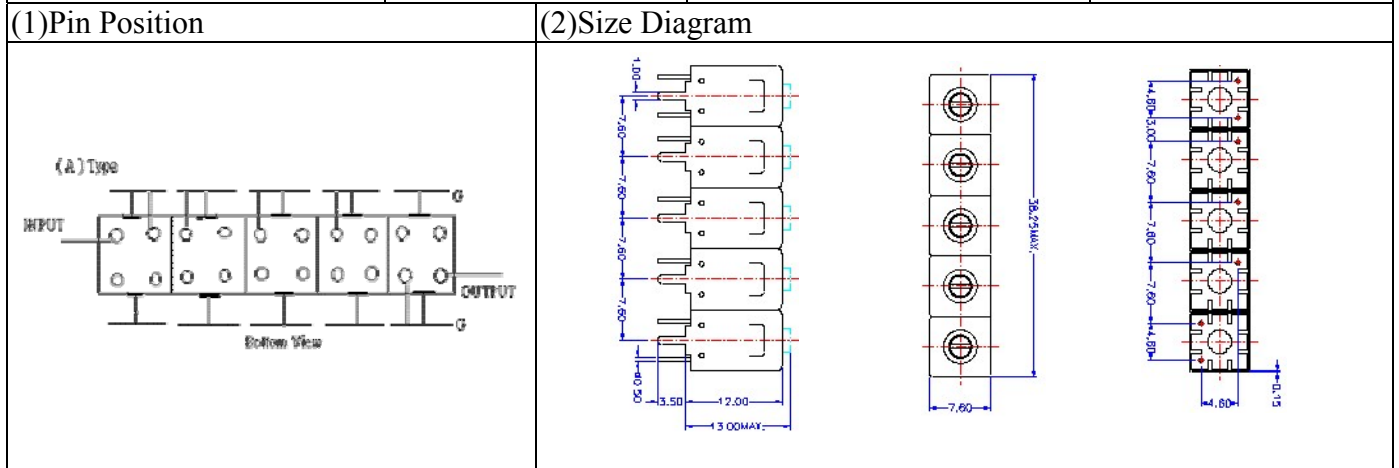


VHF UHF Helical Filter Specification Sheet

Customer Name		Temwell's Part No.	TV70133A-876M
Approval No. /dated	201105080CD	Temwell's Print Name.	70133A 876M
Work Instruction No.	201105080CD	Date	Jul.29.2011



(3) Electric Characteristic

Item	Specify	Performance	
Center Freq.(Fo) +/- 0.5 %	876 MHz	876 MHz	
Insertion Loss	Typ. 7.0 dB	3.99 dB	
-3 dB Bandwidth	Typ. 17 MHz	23.8 MHz	
Sensitivity (Attenuation)	Fo - 50 MHz	Typ. 53 dBc	65 dBc
	Fo + 50 MHz	Typ. 43 dBc	70 dBc
	Fo - ()MHz	Typ. dBc	dBc
	Fo +()MHz	Typ. dBc	dBc
Return Loss	Min. 12 dB	20.1 dB	
Ripple	< 1 dB	dB	
Impedance	In / Out : 50 Ω	In / Out : 50 Ω	
(4) Torque for Tuning Screw	> 60gf · cm		

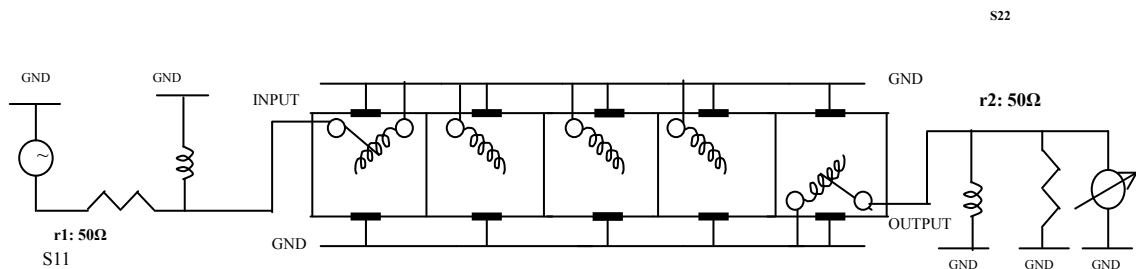
(5) Temperature Condition:

Operating Temperature	0°C ~ +60°C
Storage Temperature	-20°C ~ +70°C

(6) Input Power

> 1Watt

(7) Measuring Circuit: ※Easy to match Impedance S11/S22 50Ω by parallel with about(--).



(Bottom View)

Approval C.Y.Chang	Supervisor C.K.Chang	Designer M.Y.Kang	Aperture size 7H5S(4*4.65)(4.70) 7H046LB4.3 聚 3 7H046LB5
-----------------------	-------------------------	----------------------	---

TEMWELL CORPORATION

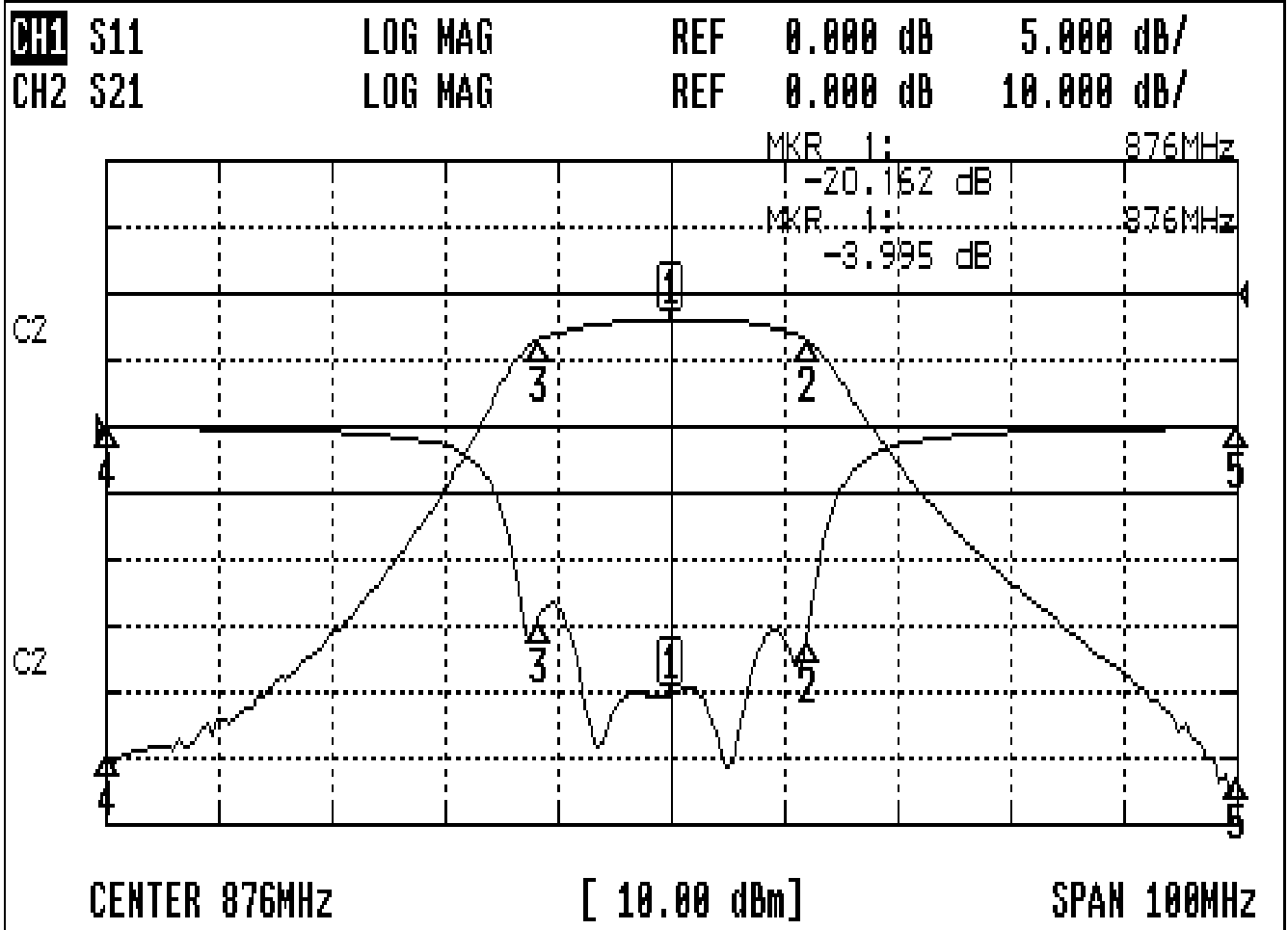
TEMWELL

Form10-7H5A Vision D

RP(M.Y)

Performance-TV70133A-876M

201105080CD



CH1 MARKER LIST

1	876.000MHz	-20.145 dB
2	888.000MHz	-16.280 dB
3	864.250MHz	-14.645 dB
4	826.000MHz	-0.092 dB
5	926.000MHz	-0.090 dB

CH2 MARKER LIST

1	876.000MHz	-3.995 dB
2	888.000MHz	-6.941 dB
3	864.250MHz	-6.984 dB
4	826.000MHz	-69.622 dB
5	926.000MHz	-74.741 dB