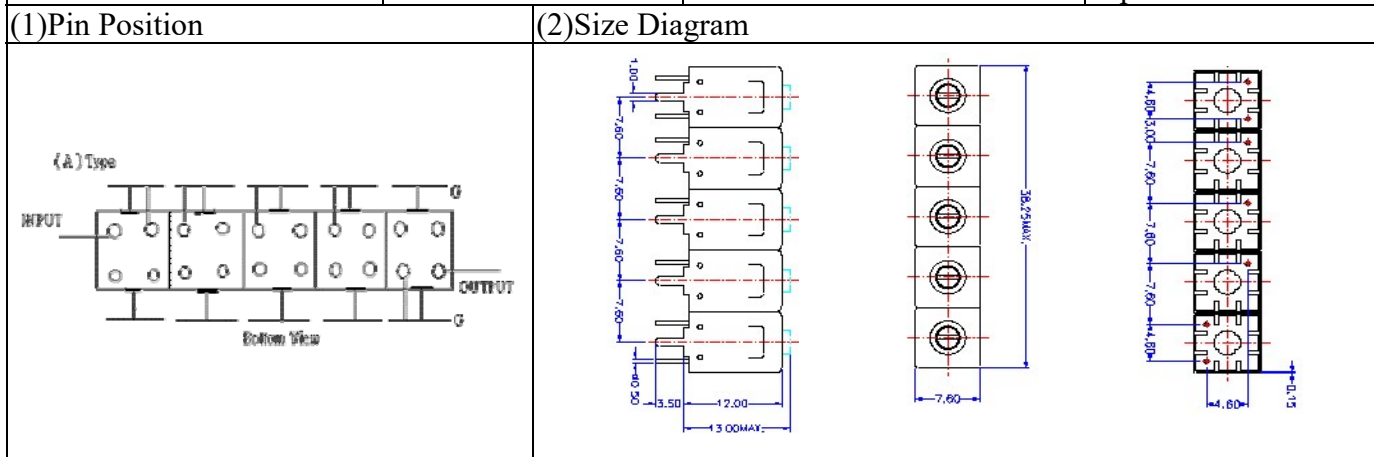


VHF UHF Helical Filter Specification Sheet

Customer Name		Temwell's Part No.	TV70147A-815M
Approval No. /dated		Temwell's Print Name.	70147A 815M
Work Instruction No.	202008018CD	Date	Sep.16.2020



(3)Electric Charasteric

Item	Specify	Performance	
Center Freq.(Fo) +/- 0.5 %	815 MHz	815 MHz	
Insertion Loss	Typ. 8.5 dB	6.78 dB	
-3 dB Bandwidth	Typ. 6 MHz	10.5 MHz	
Sensitivity (Attenuation)	Fo - 50 MHz	Typ. 57 dBc	67 dBc
	Fo + 50 MHz	Typ. 51 dBc	56 dBc
	Fo - ()MHz	Typ. dBc	dBc
	Fo +()MHz	Typ. dBc	dBc
Return Loss	Min. 12 dB	33.9 dB	
Ripple	< 1 dB	dB	
Impedance	In / Out : 50 Ω	In / Out : 50 Ω	

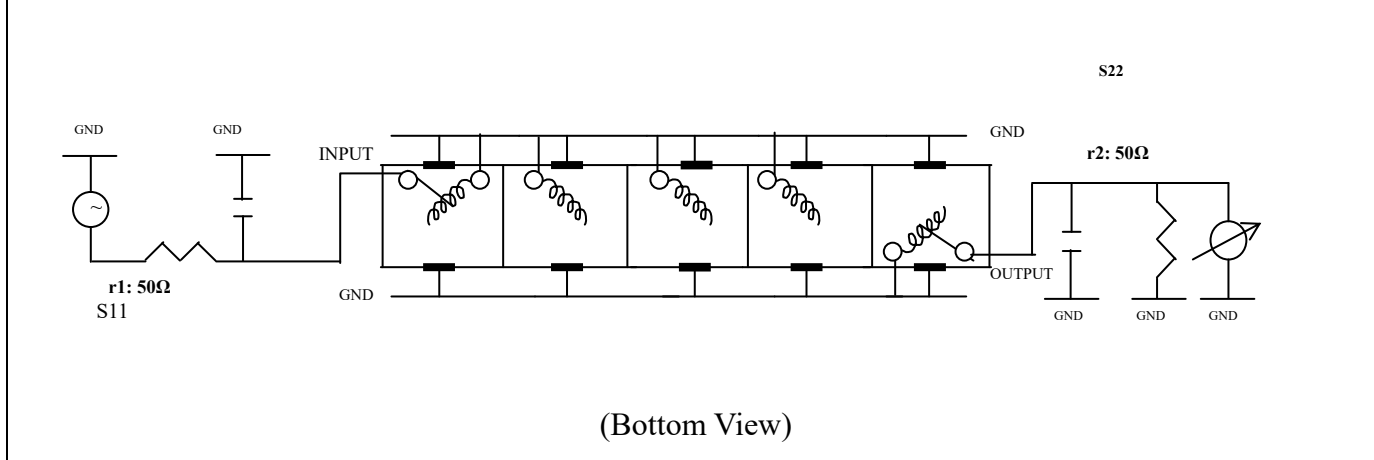
(4)Torque for Tuning Screw > 60gf • cm

(5)Temperature Condition:

Operating Temperature	0°C ~ +60°C
Storage Temperature	-20°C ~ +70°C

(6)Input Power > 1Watt

(7)Measuring Circuit: ※Easy to match Impedance S11/S22 50Ω by parallel with about(- -).



Approval	Supervisor	Designer	Aperture size
C.C.Chang	C.K.Chang	W.H.Wang	7H5S(4*4.65)(4.67) 7H046LB4.3 聚 3

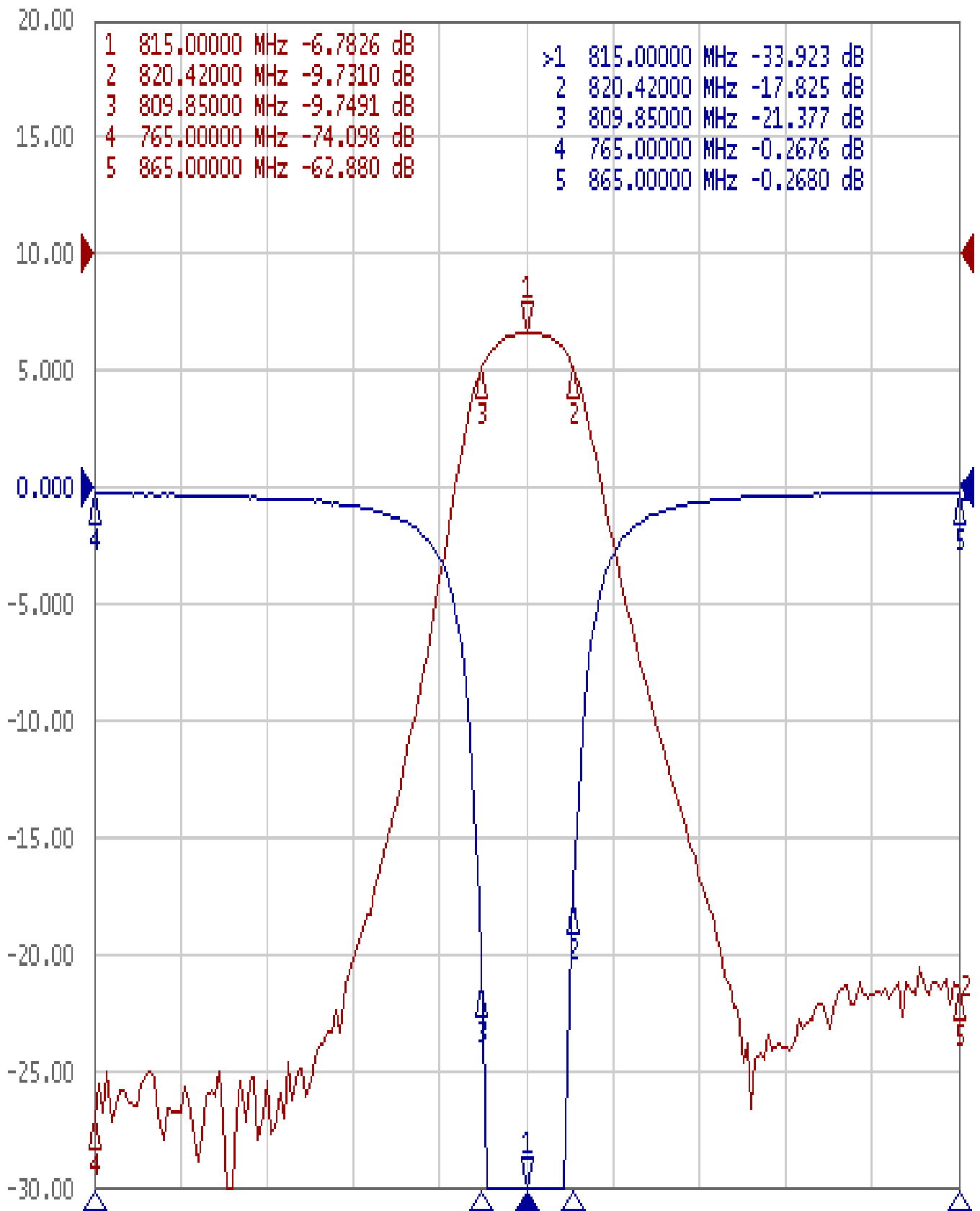
TEMWELL CORPORATION

Performance- TV70147A-815M

202008018CD

Tr1 S11 Log Mag 5.000dB/ Ref 0.000dB [F2]

Tr2 S21 Log Mag 10.00dB/ Ref 0.000dB [F2]



1 Center 815 MHz

IFBW 70 kHz

Span 100 MHz Cor !