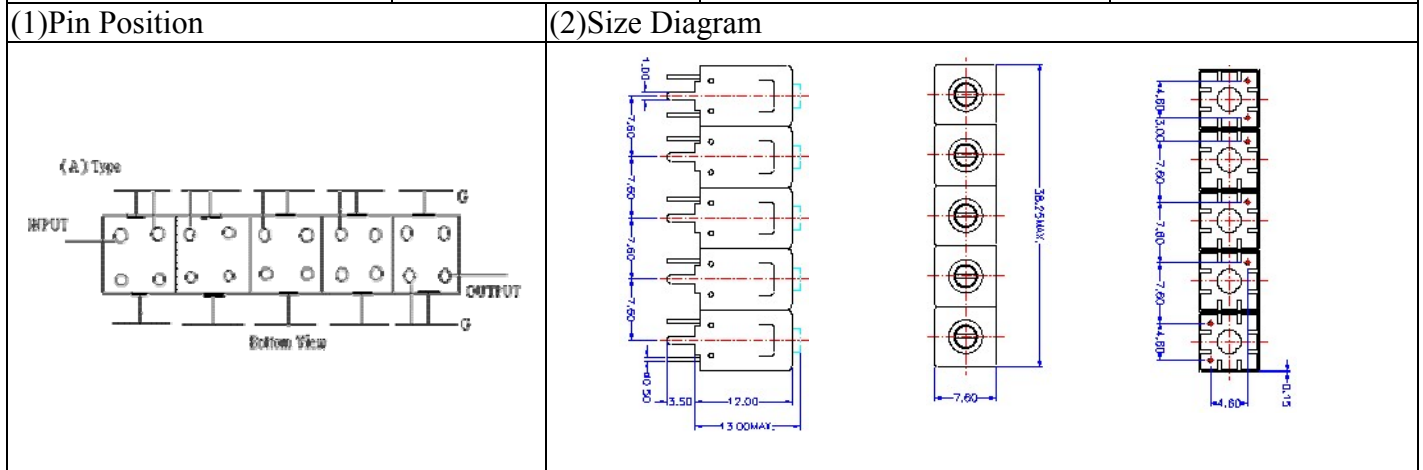


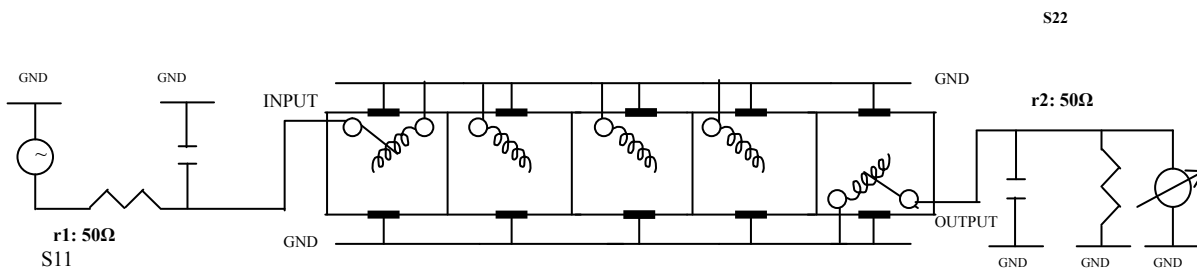
VHF UHF Helical Filter Specification Sheet

Customer Name		Temwell's Part No.	TV70159A-128M
Approval No. /dated	201709058CD	Temwell's Print Name.	0159A 128M
Work Instruction No.	201709058CD	Date	Oct.24.2017



(3) Electric Characteristic			
Item		Specify	Performance
Center Freq.(Fo) +/- 0.5 %		128 MHz	128 MHz
Insertion Loss		Typ. 2.5 dB	1.77 dB
-3 dB Bandwidth		Typ. 20 MHz	23.1 MHz
Sensitivity (Attenuation)	Fo - 50 MHz	Typ. 77 dBc	82 dBc
	Fo + 50 MHz	Typ. 55 dBc	60 dBc
	Fo - ()MHz	Typ. dBc	dBc
	Fo + ()MHz	Typ. dBc	dBc
Return Loss		Min. 12 dB	36.5 dB
Ripple		< 1 dB	dB
Impedance		In / Out : 50 Ω	In / Out : 50 Ω
(4) Torque for Tuning Screw		> 60gf • cm	
(5) Temperature Condition:			
Operating Temperature		0°C ~ +60°C	
Storage Temperature		-20°C ~ +70°C	
(6) Input Power		> 1 Watt	

(7) Measuring Circuit: ※Easy to match Impedance S11/S22 50Ω by parallel with about(- -).



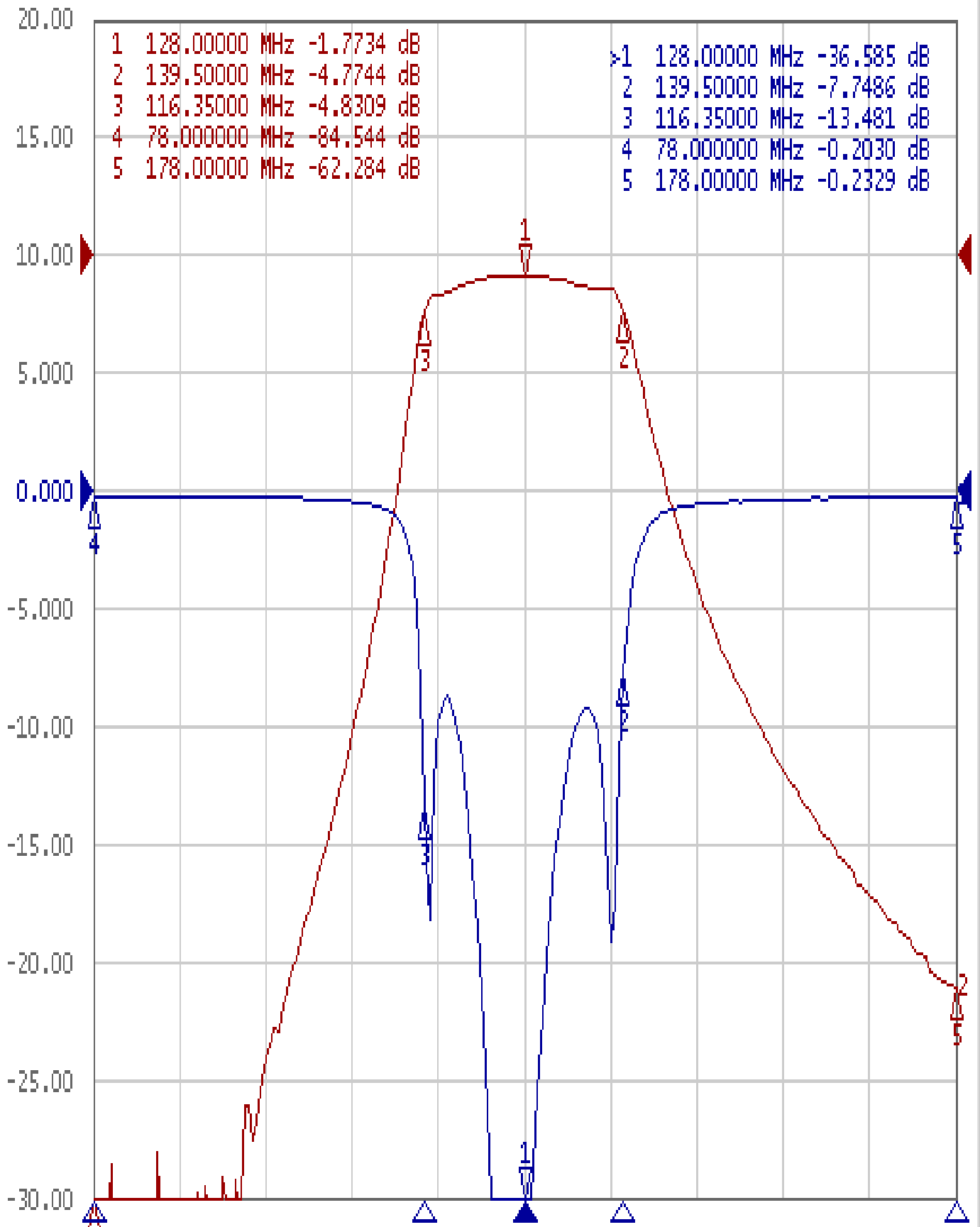
(Bottom View)

Approval	Supervisor	Designer	Aperture size
C.Y.Chang	C.K.Chang	W.W.Wang	7H5S(4*6.5)(6.53) 7H024LB6.5
TEMWELL CORPORATION			

Performance-TV70159A-128M

2017090CD

Tr1 S11 Log Mag 5.000dB/ Ref 0.000dB [F2]
Tr2 S21 Log Mag 10.000dB/ Ref 0.000dB [F2]



1 Center 128 MHz

IFBW 70 kHz

Span 100 MHz Cor