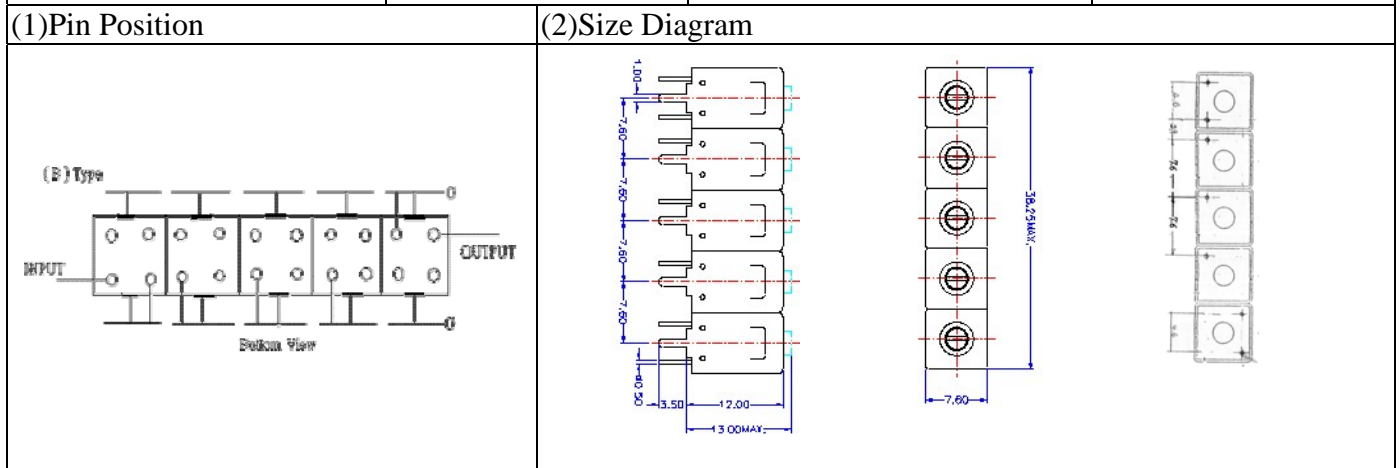


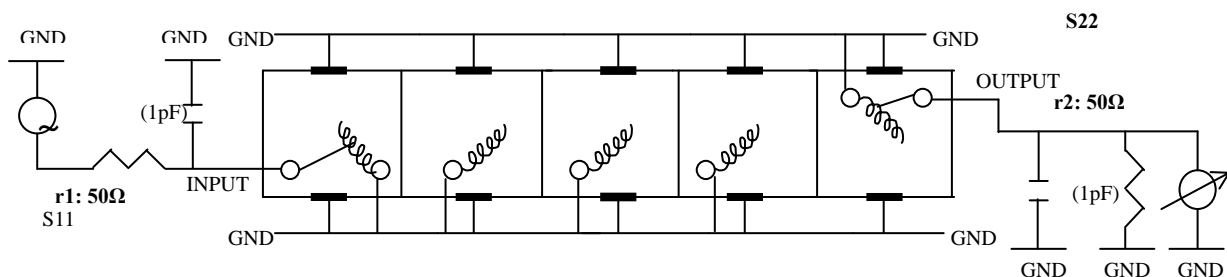
# VHF UHF Helical Filter Specification Sheet

Customer Name		Temwell's Part No.	TV70190B-81.3M
Approval No. /dated	20412044DB	Customer's Part No.	
Work Instruction No.	20412044DB	Date	Dec.07.2004



(3) Electric Characteristic		Item	Specify	Performance
		Center Freq.(Fo) +/- 0.5 %	81.3 MHz	81.3 MHz
		Insertion Loss	Typ. 7.0 dB	6.0 dB
		-3 dB Bandwidth	Typ. 4 MHz	5 MHz
Sensitivity (Attenuation)		Fo - 10 MHz	Typ. 63 dBc	66 dBc
		Fo + 10 MHz	Typ. 53 dBc	56 dBc
		Fo - ( )MHz	Typ. dBc	dBc
		Fo +( )MHz	Typ. dBc	dBc
		Return Loss	Min. 12 dB	39 dB
		Ripple	< 1 dB	dB
		Impedance	In / Out : 50 Ω	In / Out : 50 Ω
(4) Torque for Tuning Screw			> 60gf · cm	
(5) Temperature Condition:				
Operating Temperature			0°C ~ +60°C	
Storage Temperature			-20°C ~ +70°C	
(6) Input Power			> 1Watt	

(7) Measuring Circuit: ※Easy to match Impedance S11/S22 50 by parallel with about(0 pF) / (0 pF).



(Bottom View)

Approval	Supervisor	Designer	Aperture size
C.Y. CHANG	C.S.Chang	C.S.Chang	7H5S(4*4.65)(4*4.71)

TEMWELL CORPORATION

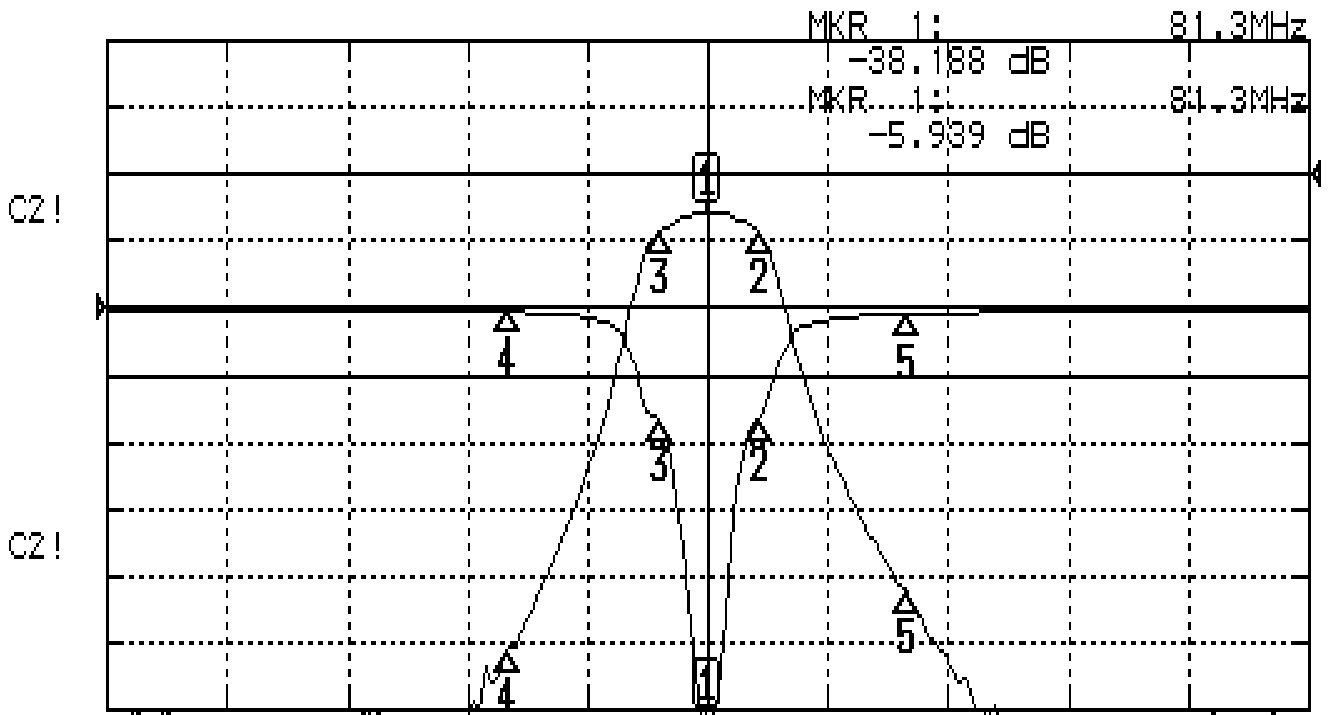
TEMWELL

Form10-7H5B Vision D

# Performance-TV70190B-81.3M

20412044DB

<b>CH1</b>	S11	LOG MAG	REF	0.000 dB	5.000 dB/
<b>CH2</b>	S21	LOG MAG	REF	0.000 dB	10.000 dB/



CENTER 81.3MHz

[ 10.00 dBm ]

SPAN 60MHz

CH1 MARKER LIST

1:	81.300MHz	-38.196	dB
2:	83.900MHz	-7.976	dB
3:	78.900MHz	-0.142	dB
4:	71.300MHz	-0.410	dB
5:	91.300MHz	-0.557	dB

CH2 MARKER LIST

1:	81.300MHz	-5.939	dB
2:	83.900MHz	-0.991	dB
3:	78.900MHz	-9.007	dB
4:	71.300MHz	-71.408	dB
5:	91.300MHz	-63.205	dB