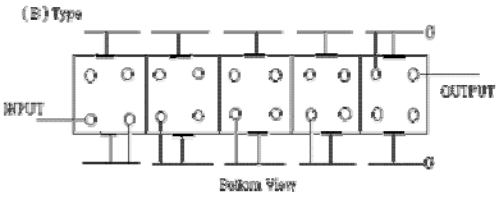
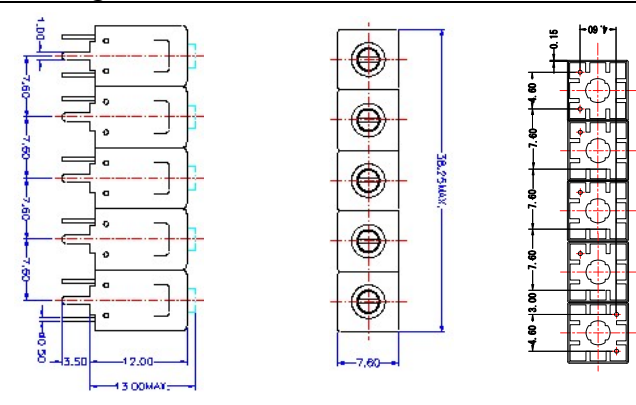


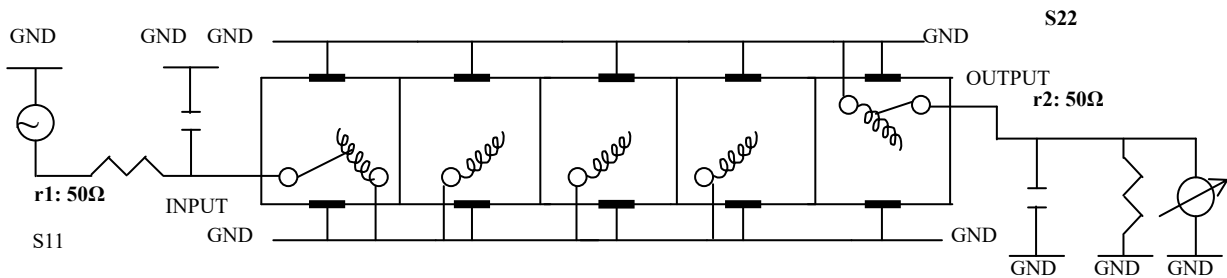
VHF UHF Helical Filter Specification Sheet

Customer Name		Temwell's Part No.	TV70256B-430M
Approval No. /dated		Temwell's Print name.	70256B 430M
Work Instruction No.	202008044CD	Date	Nov.04.2020

(1)Pin Position	(2)Size Diagram
 <p>(B) Type INPUT OUTPUT Back View</p>	 <p>Dimensions (mm): Top view: 12.00 (total length), 7.60 (width), 13.00 (spacing), 3.50 (offset), 0.9 (pitch) Side view: 30.25 MAX. (height), 7.60 (width), 1.60 (offset), 1.80 (offset)</p>

(3)Electric Charasteric			
Item	Specify	Performance	
Center Freq.(Fo) +/- 0.5 %	430 MHz	430 MHz	
Insertion Loss	Typ. 2.5 dB	1.50 dB	
-3 dB Bandwidth	Typ. 43 MHz	45.2 MHz	
Sensitivity (Attenuation)	Fo - 50 MHz	Typ. 48 dBc	53 dBc
	Fo + 50 MHz	Typ. 29 dBc	34 dBc
	Fo - ()MHz	Typ. dBc	dBc
	Fo +()MHz	Typ. dBc	dBc
Return Loss	Min. 12 dB	24.0 dB	
Ripple	< 1 dB	dB	
Impedance	In / Out : 50 Ω	In / Out : 50 Ω	
(4)Torque for Tuning Screw	> 60gf • cm		
(5)Temperature Condition:			
Operating Temperature	0°C ~ +60°C		
Storage Temperature	-20°C ~ +70°C		
(6)Input Power	> 1 Watt		

(7)Measuring Circuit: ※Easy to match Impedance S11/S22 50 Ω by parallel with about(- -).



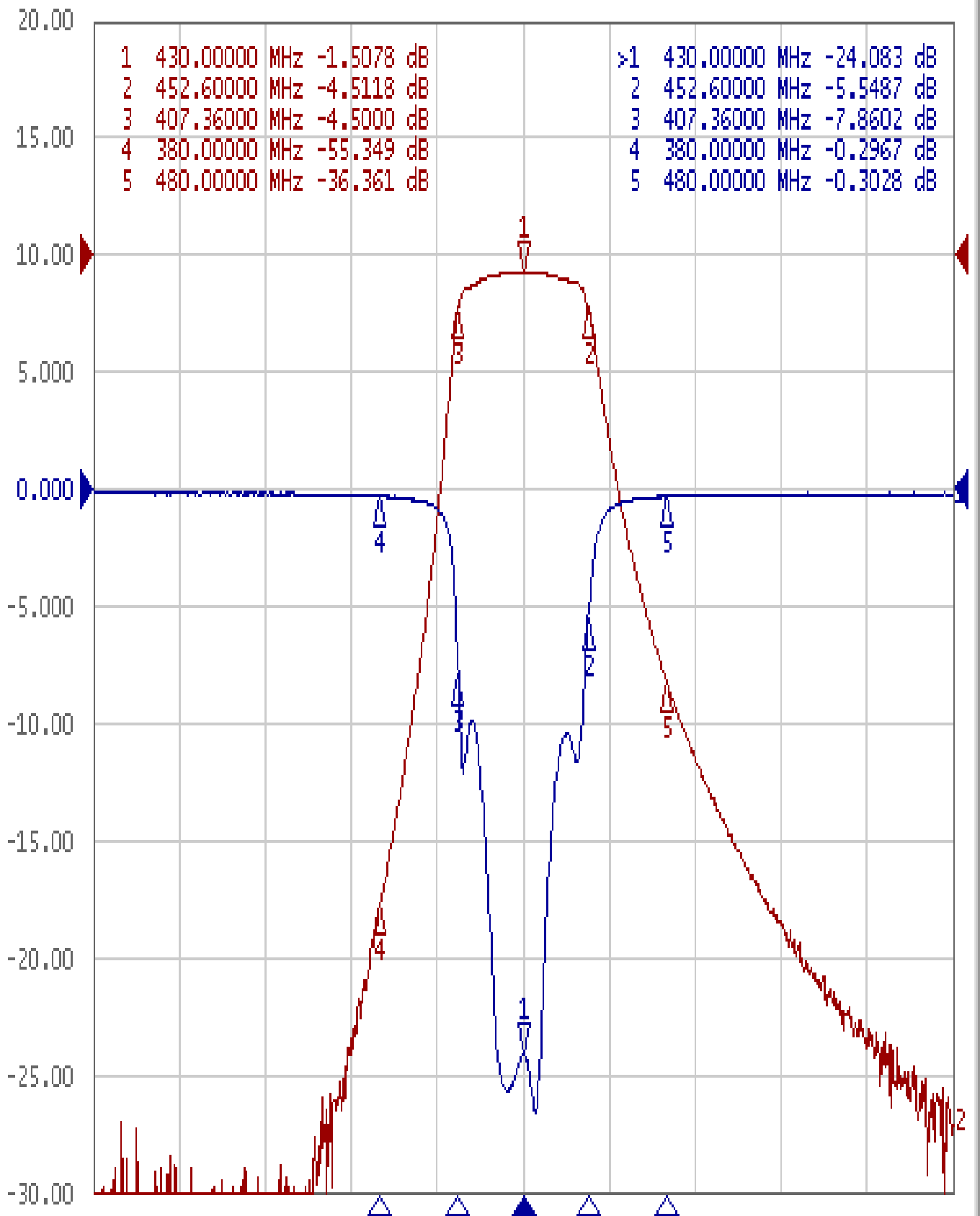
(Bottom View)

Approval	Supervisor	Designer	Aperture size
C.C.Chang	C.K.Chang	Z.Y.Wang	7H5S(4*8.0)(8.03) 7H046LB5
TEMWELL CORPORATION			

Performance-TV70256B-430M

202008044CD

Tr1 S11 Log Mag 5.000dB/ Ref 0.000dB [F2]
Tr2 S21 Log Mag 10.00dB/ Ref 0.000dB [F2]



1 Center 430 MHz

IFBW 70 kHz

Span 300 MHz Cor !