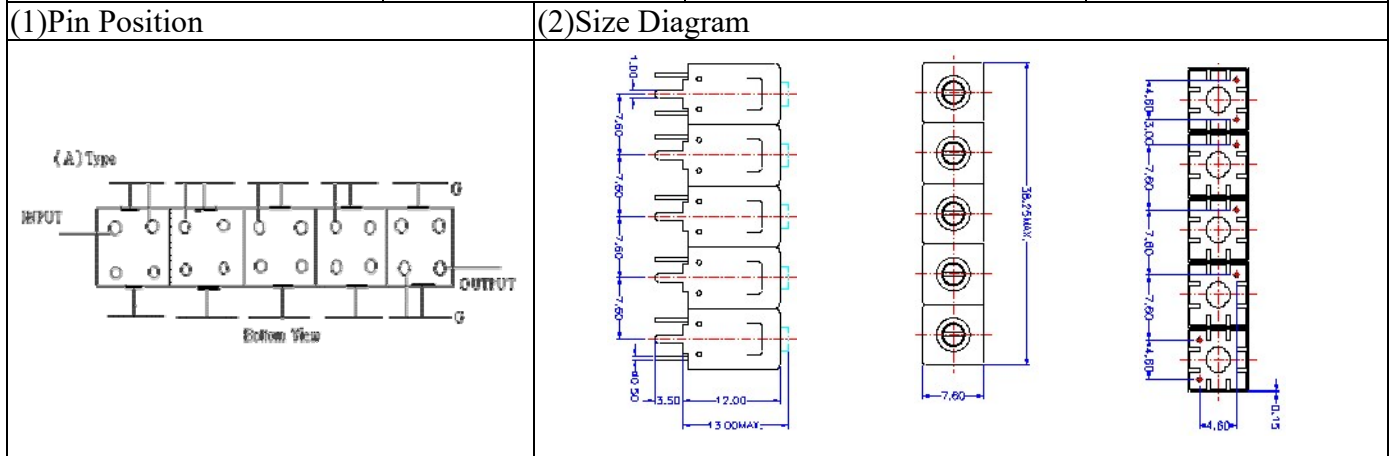


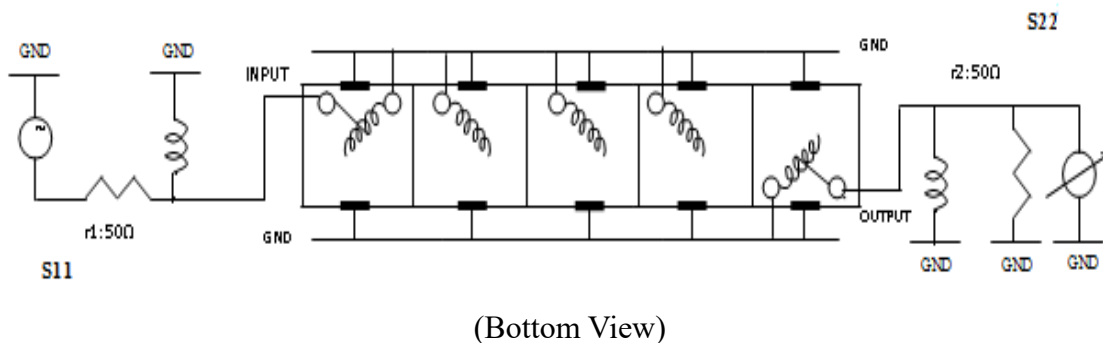
# VHF UHF Helical Filter Specification Sheet

Customer Name		Temwell's Part No.	TV70263A-895.5M
Approval No. /dated	202002017CD	Temwell's Print Name.	70263A 895.5M
Work Instruction No.	202002017CD	Date	Feb.13.2020



(3) Electric Characteristic			
Item	Specify	Performance	
Center Freq.(Fo) +/- 0.5 %	895.5 MHz	895.5	MHz
Insertion Loss	Typ. 3.5 dB	2.69	dB
-3 dB Bandwidth	Typ. 40 MHz	44.2	MHz
Sensitivity (Attenuation)	Fo - 100 MHz	Typ. 53	dBc
	Fo + 100 MHz	Typ. 57	dBc
	Fo - ( )MHz	Typ.	dBc
	Fo +( )MHz	Typ.	dBc
Return Loss	Min. 12 dB	16.0	dB
Ripple	< 1 dB		dB
Impedance	In / Out : 50 Ω	In / Out : 50 Ω	
(4) Torque for Tuning Screw	> 60gf • cm		
(5) Temperature Condition:			
Operating Temperature	0°C ~ +60°C		
Storage Temperature	-20°C ~ +70°C		
(6) Input Power	> 1Watt		

(7) Measuring Circuit: ※Easy to match Impedance S11/S22 50Ω by parallel with about(- -).

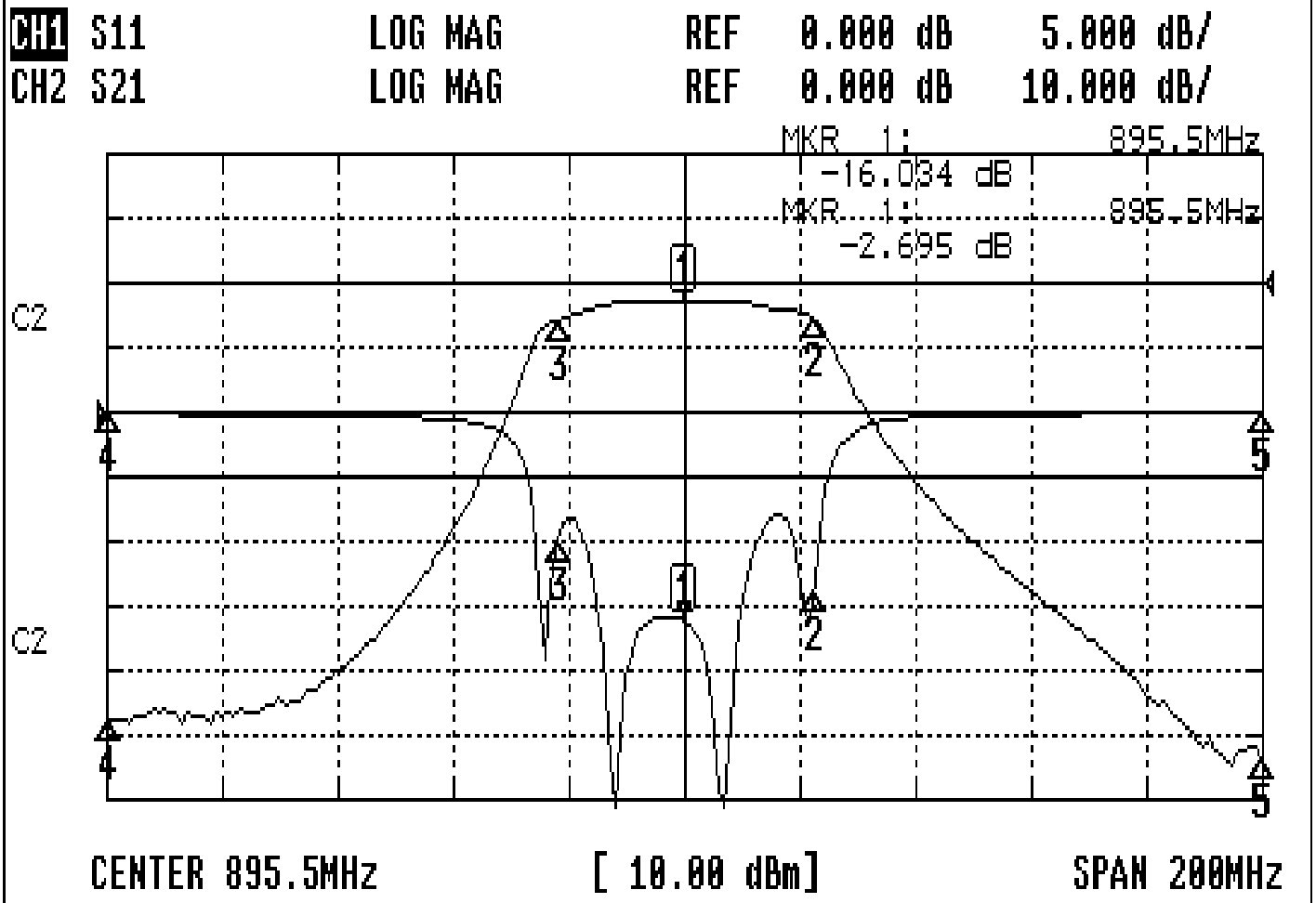


Approval	Supervisor	Designer	Aperture size
C.Y.Chang	C.K.Chang	M.Y.Kang	7H5S(4*5.35)(5.40) 7H046LB5

TEMWELL CORPORATION

# Performance- TV70263A-895.5M

## 202002017CD



### CH1 MARKER LIST

1:	895.500MHz	-16.034	dB
2:	917.950MHz	-13.865	dB
3:	873.666MHz	-9.712	dB
4:	795.500MHz	-0.124	dB
5:	995.500MHz	-0.125	dB

### CH2 MARKER LIST

1:	895.500MHz	-2.692	dB
2:	917.950MHz	-1.557	dB
3:	873.666MHz	-1.557	dB
4:	795.500MHz	-66.200	dB
5:	995.500MHz	-70.488	dB