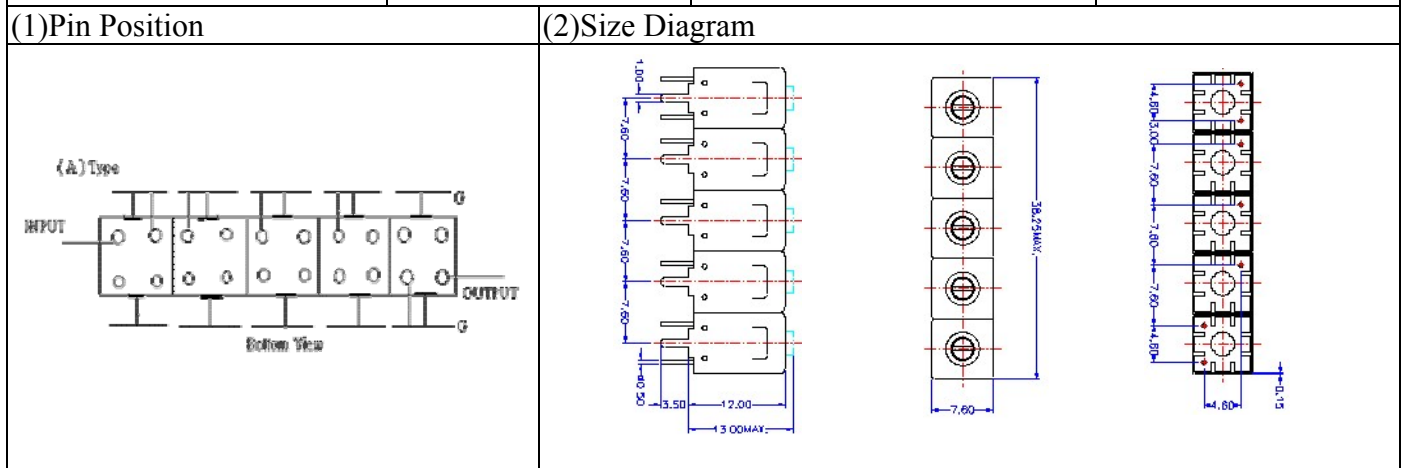


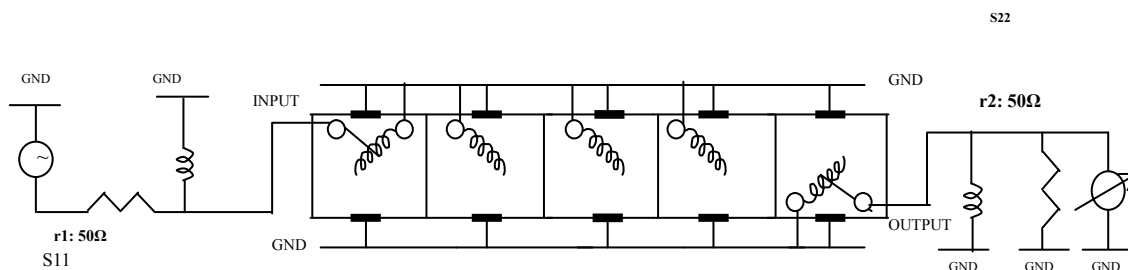
VHF UHF Helical Filter Specification Sheet

Customer Name		Temwell's Part No.	TV70265A-940.5M
Approval No. /dated	201105082CD	Temwell's Print Name.	70265A 940.5M
Work Instruction No.	201105082CD	Date	Jun.22.2011



(3)Electric Charasteric			
Item		Specify	Performance
Center Freq.(Fo) +/- 0.5 %		940.5 MHz	940.5 MHz
Insertion Loss		Typ. 4.0 dB	3.08 dB
-3 dB Bandwidth		Typ. 35 MHz	41.5 MHz
Sensitivity (Attenuation)	Fo - 50 MHz	Typ. 48 dBc	51 dBc
	Fo + 50 MHz	Typ. 35 dBc	38 dBc
	Fo - ()MHz	Typ. dBc	dBc
	Fo +()MHz	Typ. dBc	dBc
Return Loss		Min. 12 dB	21.1 dB
Ripple		< 1 dB	dB
Impedance		In / Out : 50 Ω	In / Out : 50 Ω
(4)Torque for Tuning Screw		> 60gf · cm	
(5)Temperature Condition:			
Operating Temperature		0°C ~ +60°C	
Storage Temperature		-20°C ~ +70°C	
(6)Input Power		> 1Watt	

(7)Measuring Circuit: ※Easy to match Impedance S11/S22 50Ω by parallel with about(--nH) / (--nH).



(Bottom View)

Approval	Supervisor	Designer	Aperture size
C.Y.Chang	C.K.Chang	C.S.Chang	7H5S(4*5.5)(5.62) 7H046LB5

TEMWELL CORPORATION

Performance-TV70265A-940.5M

201105082CD

