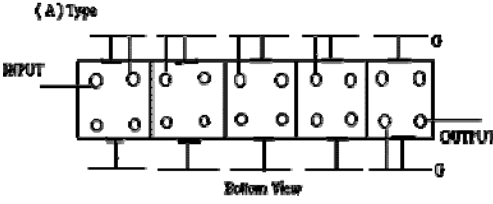
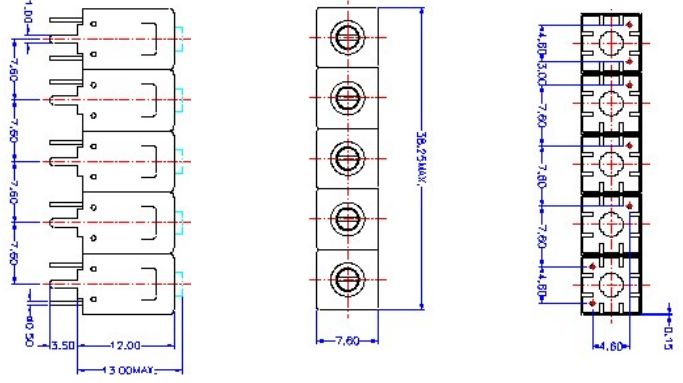


# VHF UHF Helical Filter Specification Sheet

Customer Name		Temwell's Part No.	TV70445A-942.5M
Approval No. /dated	20102068DC	Acceptable Specify Fo. Range	931~950MHz
Work Instruction No.	20102068DC	Date	Feb.22.2001

(1)Pin Position	(2)Size Diagram
 <p>(A) Type</p> <p>INPUT</p> <p>OUTPUT</p> <p>Bottom View</p>	

### (3)Electric Character

Item	Specify	Performance	
Center Freq.(Fo ) +/- 0.5 %	942.5 MHz	942.5 MHz	
Insertion Loss	Typ. 4.5 dB	2.8 dB	
-1 dB Bandwidth	Typ. 28 MHz	37 MHz	
-3 dB Bandwidth	Typ. 33 MHz	42 MHz	
Sensitivity (Attenuation)	Fo - 45 MHz	Typ. 33 dBc	36 dBc
	Fo + 50 MHz	Typ. 26 dBc	29 dBc
	Fo - ( )MHz	Typ. dBc	dBc
	Fo +( )MHz	Typ. dBc	dBc
Return Loss	Min. 12 dB	17.3 dB	
Ripple	< 1 dB	dB	
Impedance	In / Out : 50 Ω	In / Out : 50 Ω	

(4)Torque for Tuning Screw	> 60gf • cm
----------------------------	-------------

### (5)Temperature Condition:

Operating Temperature	0°C ~ +60°C
Storage Temperature	-20°C ~ +70°C

(6)Input Power	> 1Watt
----------------	---------

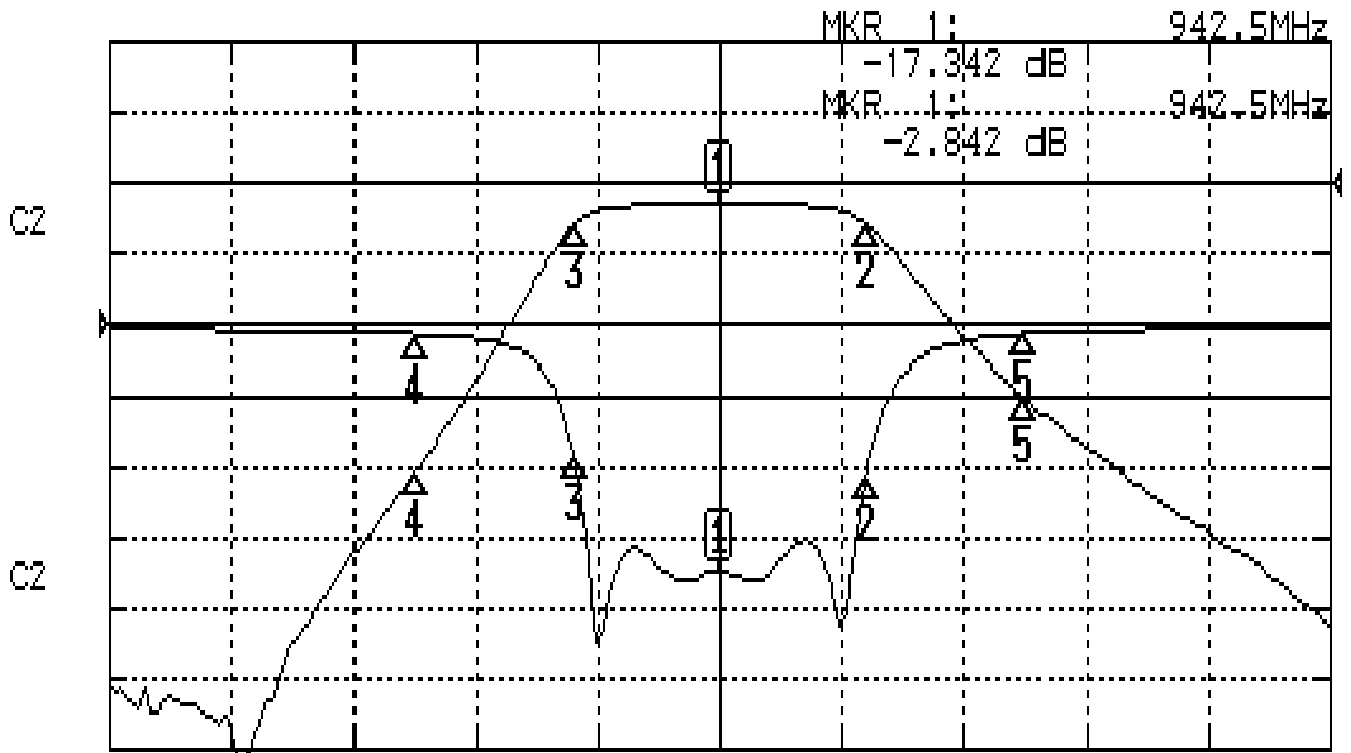
Approval	Supervisor	Designer	Aperture size
C.Y.Chang	C.S.Chang	C.S.Chang	7H5S(4*5.5) 7H 046LB5 / 046LB4

TEMWELL CORPORATION

# Performance-TV70445A-942.5M

## 20102068DC

**CH1** S11                      LOG MAG                      REF    0.000 dB            5.000 dB/  
**CH2** S21                      LOG MAG                      REF    0.000 dB            10.000 dB/



CENTER 942.5MHz

[ 10.00 dBm ]

SPAN 200MHz

### CH1 MARKER LIST

1:	942.500MHz	-17.345 dB
2:	966.666MHz	-10.626 dB
3:	918.666MHz	-9.348 dB
4:	892.500MHz	-0.745 dB
5:	992.500MHz	-0.720 dB

### CH2 MARKER LIST

1:	942.500MHz	-2.842 dB
2:	966.666MHz	-15.866 dB
3:	918.666MHz	-15.870 dB
4:	892.500MHz	-40.451 dB
5:	992.500MHz	-30.041 dB