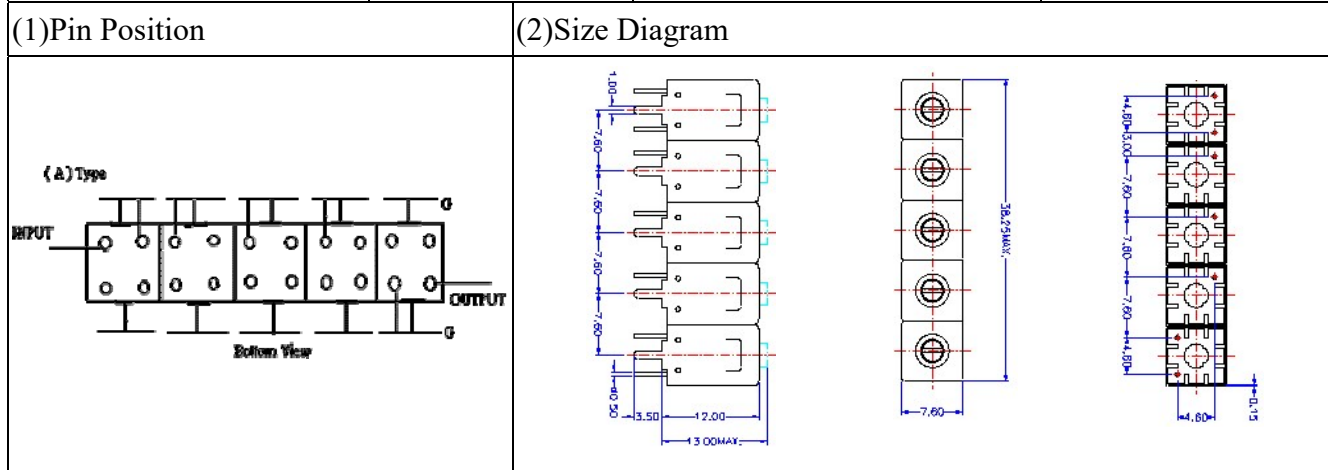


VHF UHF Helical Filter Specification Sheet

Customer Name		Temwell's Part No.	TV70460A-392M
Approval No. /dated	20306031DC	Acceptable Specify Fo. Range	356~400MHz
Work Instruction No.	20306031DC	Date	Jun.18.2003



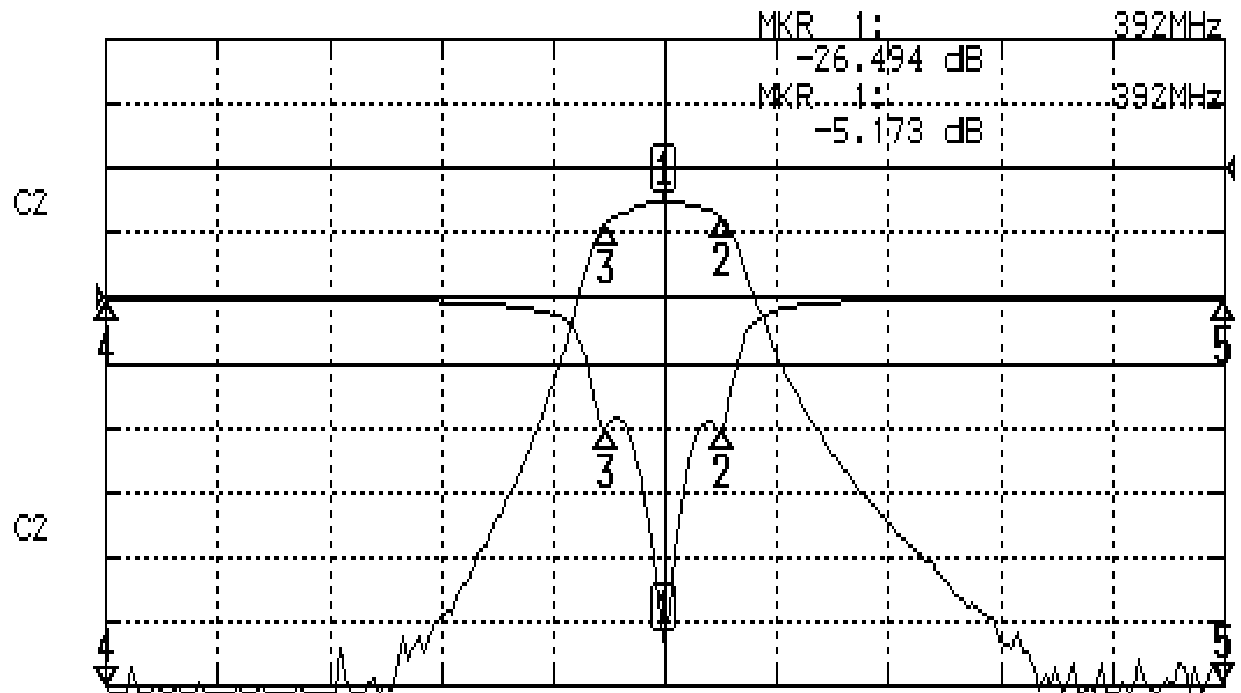
(3) Electric Character			
Item		Specify	Performance
Center Freq.(Fo) +/- 0.5 %		392 MHz	392 MHz
Insertion Loss		Typ. 6.0 dB	5.0 dB
-3 dB Bandwidth		Typ. 9 MHz	10 MHz
Sensitivity (Attenuation)	Fo - 50 MHz	Typ. 70 dB	87 dB
	Fo + 50 MHz	Typ. 70 dBc	73 dBc
	Fo - ()MHz	Typ. dBc	dBc
	Fo +()MHz	Typ. dBc	dBc
Return Loss		Min. 12 dB	16 dB
Ripple		< 1 dB	dB
Impedance		In / Out : 50 Ω	In / Out : 50 Ω
(4) Torque for Tuning Screw		> 60gf • cm	
(5) Temperature Condition:			
Operating Temperature		0°C ~ +60°C	
Storage Temperature		-20°C ~ +70°C	
(6) Input Power		> 1Watt	
Approval	Supervisor	Designer	Aperture size
C.Y.Chang	C.S.Chang	C.S.Chang	7H5S 4*5.5
TEMWELL CORPORATION			

RF Filter & Duplexer Manufacturer : TV70445A-942.5M rvbw 0505

Performance-TV70460A-392M

20306031DC

CH1 S11 LOG MAG REF 0.000 dB 5.000 dB/
CH2 S21 LOG MAG REF 0.000 dB 10.000 dB/



CENTER 392MHz

[10.00 dBm]

SPAN 100MHz

CH1 MARKER LIST

1	392.000MHz	-26.494	dB
2	397.166MHz	-9.924	dB
3	386.833MHz	-9.994	dB
4	342.000MHz	-0.220	dB
5	442.000MHz	-0.191	dB

CH2 MARKER LIST

1	392.000MHz	-5.173	dB
2	397.166MHz	-7.884	dB
3	386.833MHz	-8.360	dB
4	342.000MHz	-80.707	dB
5	442.000MHz	-79.214	dB