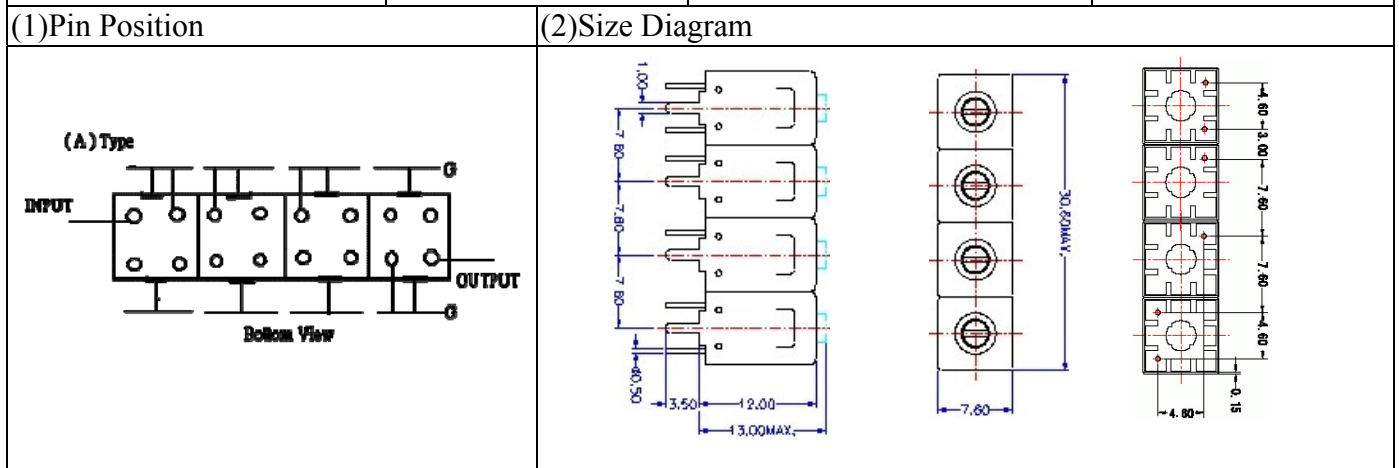


VHF UHF Helical Filter Specification Sheet

Customer Name		Temwell's Part No.	TV70461A-395M
Approval No. /dated	0712072APR	Temwell's Print Name	70461A 395M
Work Instruction No.	0712072A	Date	Dec.28.2007



(3) Electric Characteristic

Item	Specify	Performance	
Center Freq.(Fo) +/- 0.75 %	395 MHz	395 MHz	
Insertion Loss	Typ. 9.5 dB	6.87 dB	
-3 dB Bandwidth	Typ. 4 MHz	8.6 MHz	
Sensitivity (Attenuation)	Fo - 28 MHz	Typ. 69 dBc	74 dBc
	Fo + 28 MHz	Typ. 73 dBc	72 dBc
	Fo - ()MHz	Typ. dBc	dBc
	Fo +()MHz	Typ. dBc	dBc
Return Loss	Min. 12 dB	15.3 dB	
Ripple	< 1 dB	dB	
Impedance	In / Out : 50 Ω	In / Out : 50 Ω	

(4) Torque for Tuning Screw > 60gf · cm

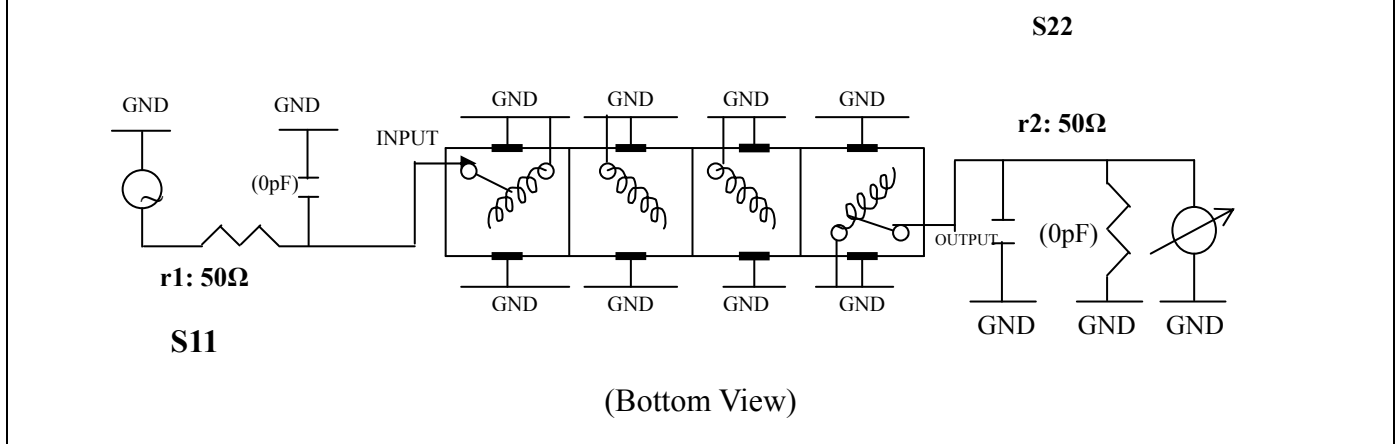
(5) Temperature Condition:

Operating Temperature	-30°C ~ +70°C
-----------------------	---------------

Storage Temperature	-30°C ~ +80°C
---------------------	---------------

(6) Input Power	> 1Watt
-----------------	---------

(7) Measuring Circuit: ※Easy to match Impedance S11/S22 50Ω/ by parallel with about(0pF) / (0pF).

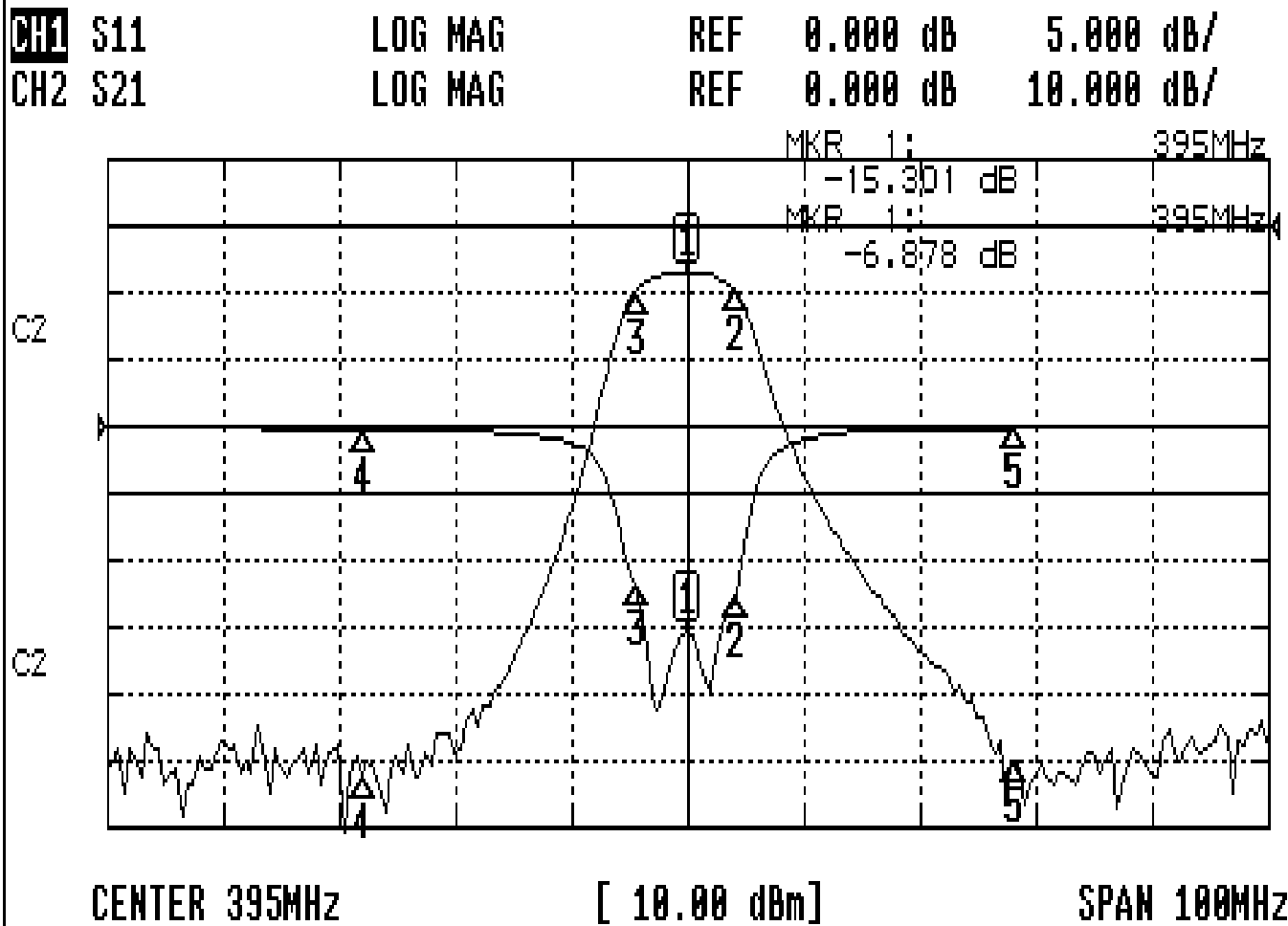


Approval	Supervisor	Designer	Aperture size
C.Y.Chang	C.S.Chang	P.H.Chiang	7H4(4*5.5)F 7H046LB4 聚 3

TEMWELL CORPORATION

Performance-TV70461A-395M

0712072BD



CH1 MARKER LIST

1:	395.000MHz	-15.303 dB
2:	399.166MHz	-12.623 dB
3:	390.500MHz	-11.651 dB
4:	367.000MHz	-0.205 dB
5:	423.000MHz	-0.145 dB

CH2 MARKER LIST

1:	395.000MHz	-6.878 dB
2:	399.166MHz	-6.795 dB
3:	390.500MHz	-6.971 dB
4:	367.000MHz	-80.641 dB
5:	423.000MHz	-78.863 dB