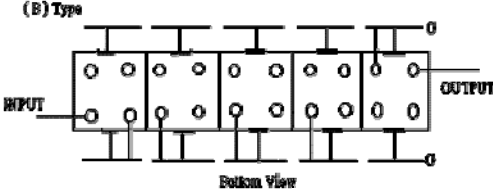
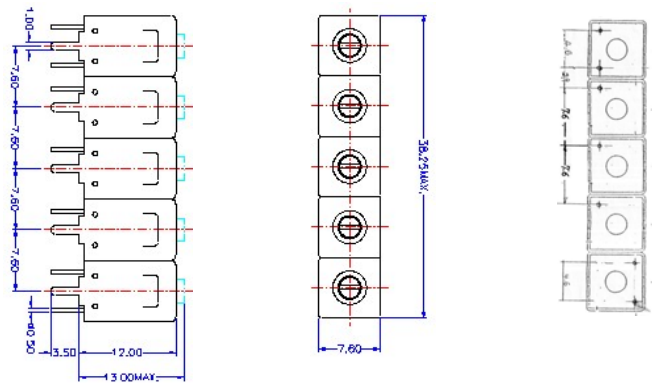


VHF UHF Helical Filter Specification Sheet

Customer Name		Temwell's Part No.	TV70495B-500M
Approval No. /dated	20204067DB	Acceptable Specify Fo. Range	450~500MHz
Work Instruction No.	20204067DB	Date	Apr.25.2002

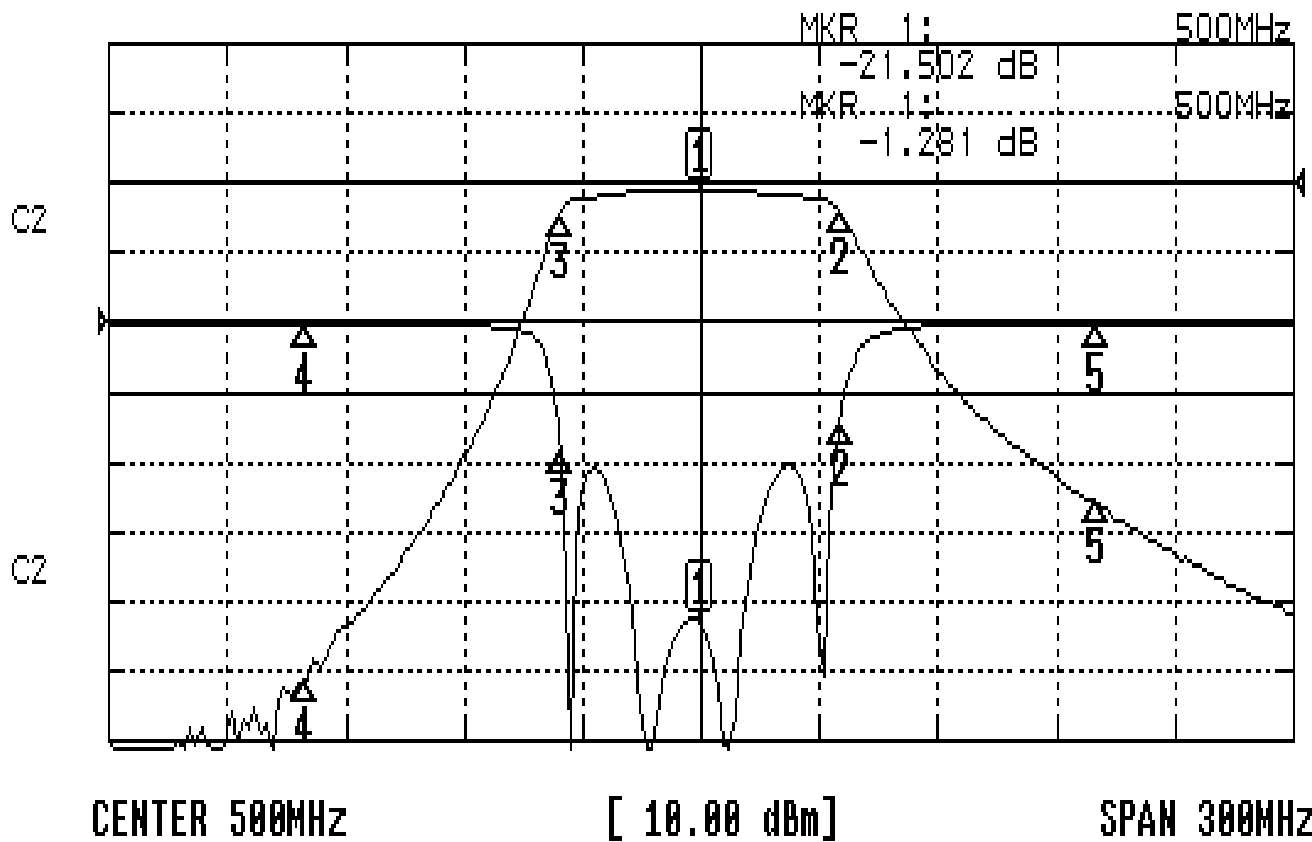
(1)Pin Position	(2)Size Diagram
 <p>(B) Type Helical View</p>	

(3)Electric Character			
Item		Specify	Performance
Center Freq.(Fo) +/- 0.5 %		500 MHz	500 MHz
Insertion Loss		Typ. 2.5 dB	1.4 dB
-3 dB Bandwidth		Typ. 52 MHz	57 MHz
Sensitivity (Attenuation)	Fo - 115 MHz	Typ. 79 dBc	82 dBc
	Fo + 200 MHz	Typ. 72 dBc	75 dBc
	Fo - ()MHz	Typ. dBc	dBc
	Fo +()MHz	Typ. dBc	dBc
Return Loss		Min. 12 dB	18 dB
Ripple		< 1 dB	dB
Impedance		In / Out : 50 Ω	In / Out : 50 Ω
(4)Torque for Tuning Screw		> 60gf • cm	
(5)Temperature Condition:			
Operating Temperature		-30℃ ~ +70℃	
Storage Temperature		-30℃ ~ +80℃	
(6)Input Power		> 1Watt	
Approval	Supervisor	Designer	Aperture size
C.Y.Chang	C.S.Chang	C.S.Chang	7H5S(4*7.5)
TEMWELL CORPORATION			

Performance-TV70495B-500M

20204067DB

CH1 S11 LOG MAG REF 0.000 dB 5.000 dB/
CH2 S21 LOG MAG REF 0.000 dB 10.000 dB/



CH1 MARKER LIST

1:	500.000MHz	-21.502 dB
2:	535.500MHz	-7.012 dB
3:	464.500MHz	-9.260 dB
4:	400.000MHz	-0.208 dB
5:	600.000MHz	-0.221 dB

CH2 MARKER LIST

1:	500.000MHz	-1.281 dB
2:	535.500MHz	-4.322 dB
3:	464.500MHz	-4.262 dB
4:	400.000MHz	-71.153 dB
5:	600.000MHz	-45.943 dB