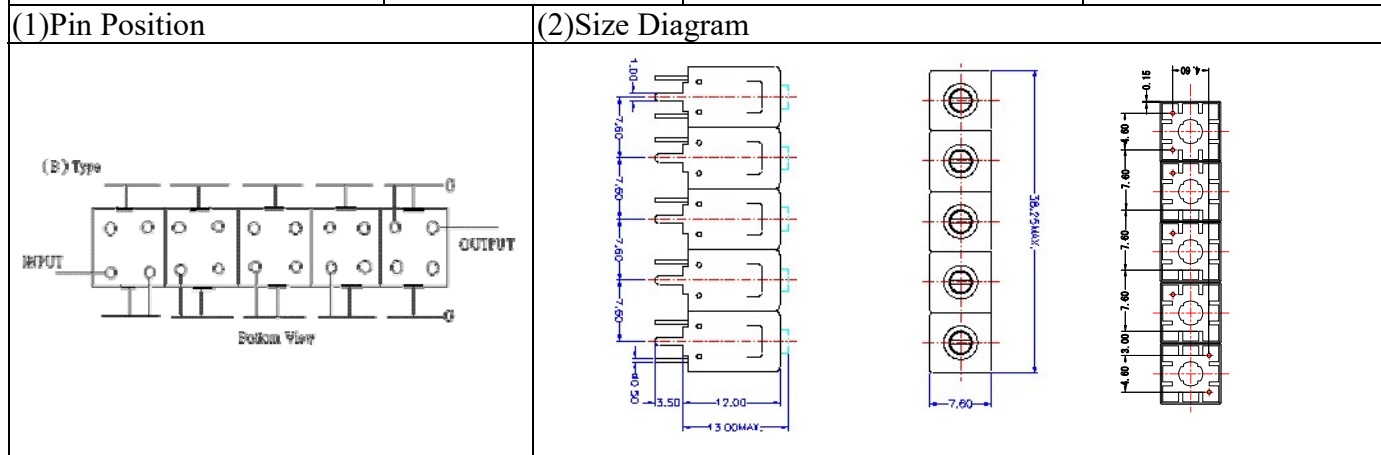


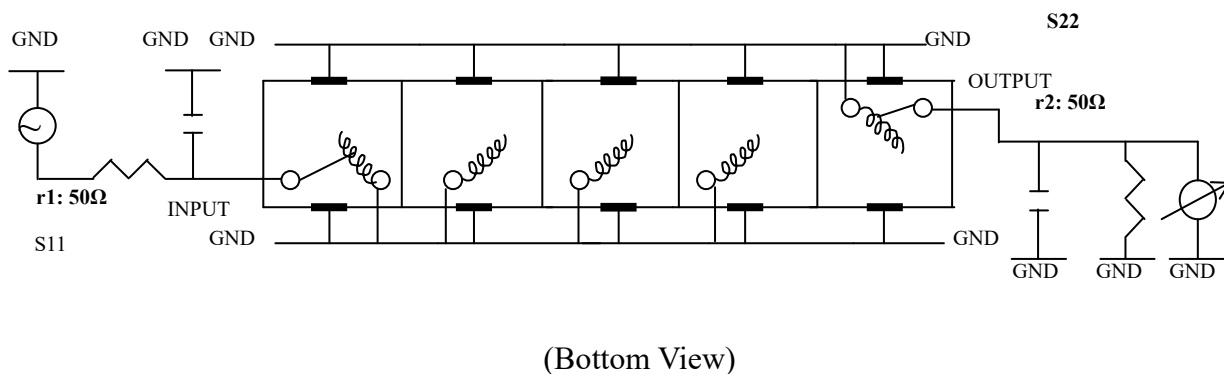
# VHF UHF Helical Filter Specification Sheet

Customer Name		Temwell's Part No.	TV70497B-550M
Approval No. /dated		Temwell's Print name.	70497B 550M
Work Instruction No.	202010030CD	Date	Nov.05.2020



(3) Electric Characteristic					
Item		Specify		Performance	
Center Freq.(Fo) +/- 0.5 %		550 MHz		550 MHz	
Insertion Loss		Typ. 2.0 dB		1.17 dB	
-3 dB Bandwidth		Typ. 69 MHz		71.8 MHz	
Sensitivity (Attenuation)	Fo - 100 MHz	Typ. 58 dBc		68 dBc	
	Fo + 100 MHz	Typ. 40 dBc		45 dBc	
	Fo - ( )MHz	Typ. dBc		dBc	
	Fo +( )MHz	Typ. dBc		dBc	
Return Loss		Min. 12 dB		26.8 dB	
Ripple		< 1 dB		dB	
Impedance		In / Out : 50 Ω		In / Out : 50 Ω	
(4) Torque for Tuning Screw		> 60gf • cm			
(5) Temperature Condition:					
Operating Temperature		0°C ~ +60°C			
Storage Temperature		-20°C ~ +70°C			
(6) Input Power		> 1Watt			

(7) Measuring Circuit: ※Easy to match Impedance S11/S22 50Ω by parallel with about(- -).

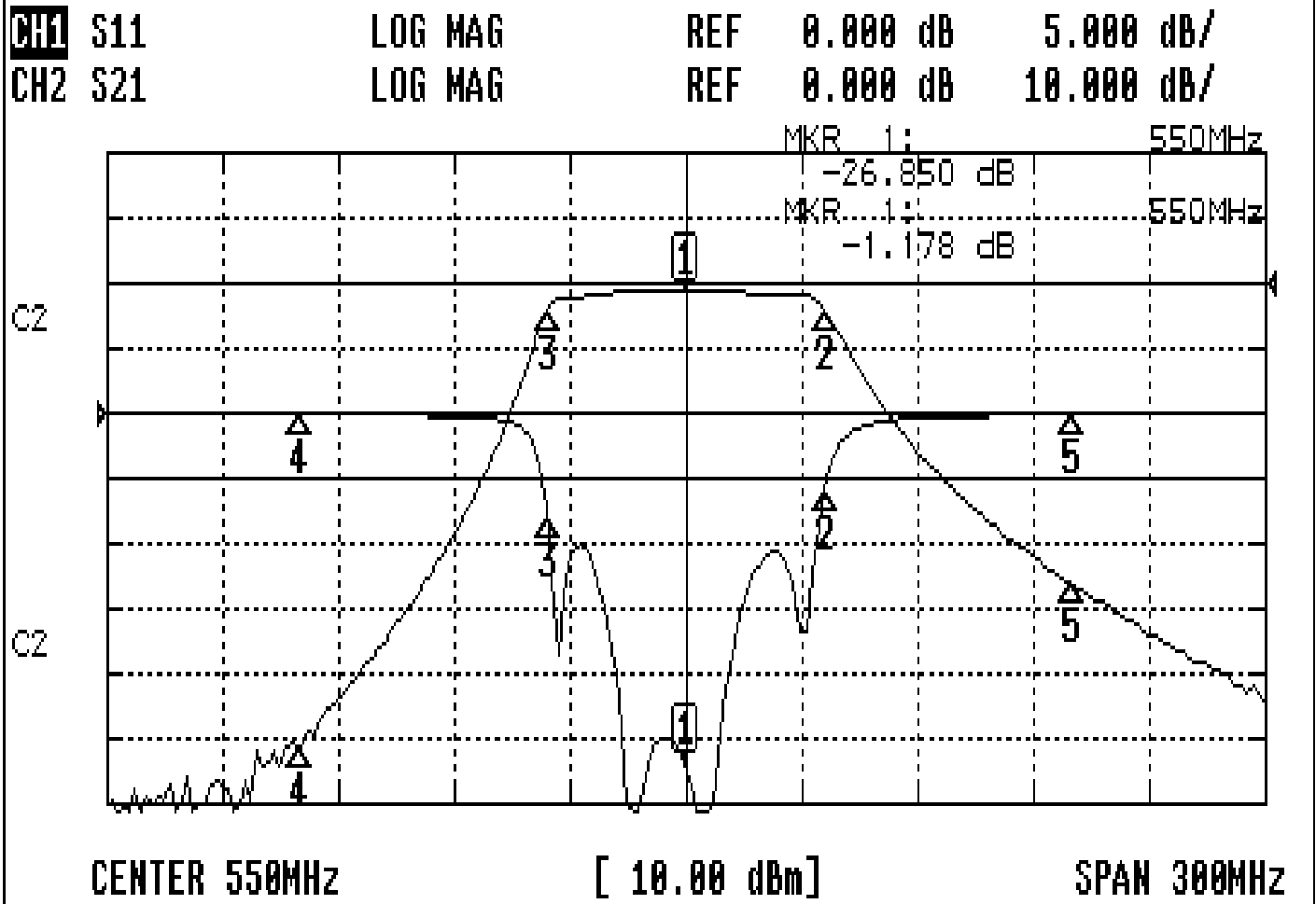


Approval	Supervisor	Designer	Aperture size
C.C.Chang	C.K.Chang	C.H.Yeh	7H5S(4*7.5)(7.52) 7H046LB5.5(J1)

TEMWELL CORPORATION

# Performance-TV70497B-550M

## 202010030CD



### CH1 MARKER LIST

1:	550.000MHz	-26.850	dB
2:	586.050MHz	-1.178	dB
3:	514.250MHz	-8.092	dB
4:	450.000MHz	-0.035	dB
5:	650.000MHz	-0.064	dB
6:			
7:			
8:			
9:			
10:			

### CH2 MARKER LIST

1:	550.000MHz	-1.178	dB
2:	586.050MHz	-4.171	dB
3:	514.250MHz	-4.148	dB
4:	450.000MHz	-69.742	dB
5:	650.000MHz	-46.166	dB
6:			
7:			
8:			
9:			
10:			