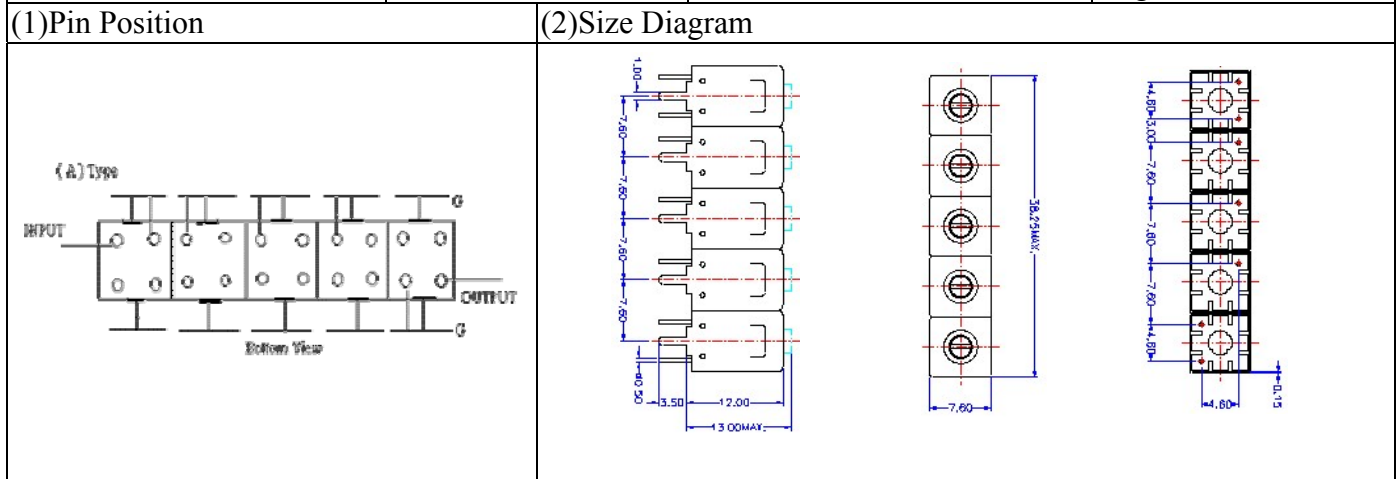


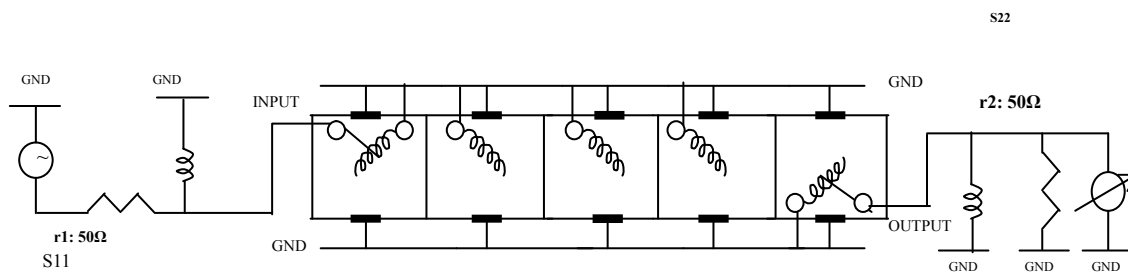
VHF UHF Helical Filter Specification Sheet

Customer Name		Temwell's Part No.	TV70555A-814.5M
Approval No. /dated	201107120CD	Temwell's Print Name.	70555A 814.5M
Work Instruction No.	201107120CD	Date	Aug.17.2011



(3) Electric Characteristic		Specify	Performance
Item			
Center Freq.(Fo) +/- 0.5 %		814.5 MHz	814.5 MHz
Insertion Loss		Typ. 4.5 dB	3.46 dB
-3 dB Bandwidth		Typ. 25 MHz	32.5 MHz
Sensitivity (Attenuation)	Fo - 50 MHz	Typ. 51 dBc	64 dBc
	Fo + 50 MHz	Typ. 43 dBc	48 dBc
	Fo - ()MHz	Typ. dBc	dBc
	Fo +()MHz	Typ. dBc	dBc
Return Loss		Min. 12 dB	18.6 dB
Ripple		< 1 dB	dB
Impedance		In / Out : 50 Ω	In / Out : 50 Ω
(4) Torque for Tuning Screw		> 60gf · cm	
(5) Temperature Condition:			
Operating Temperature		0°C ~ +60°C	
Storage Temperature		-20°C ~ +70°C	
(6) Input Power		> 1Watt	

(7) Measuring Circuit: ※Easy to match Impedance S11/S22 50Ω by parallel with about(--).



(Bottom View)

Approval	Supervisor	Designer	Aperture size
C.Y.Chang	C.K.Chang	C.S.Chang	7H5S(4*6.35)(6.42) 7H046LB4.3 聚 3

TEMWELL CORPORATION

Performance-TV70555A-814.5M

201107120CD

