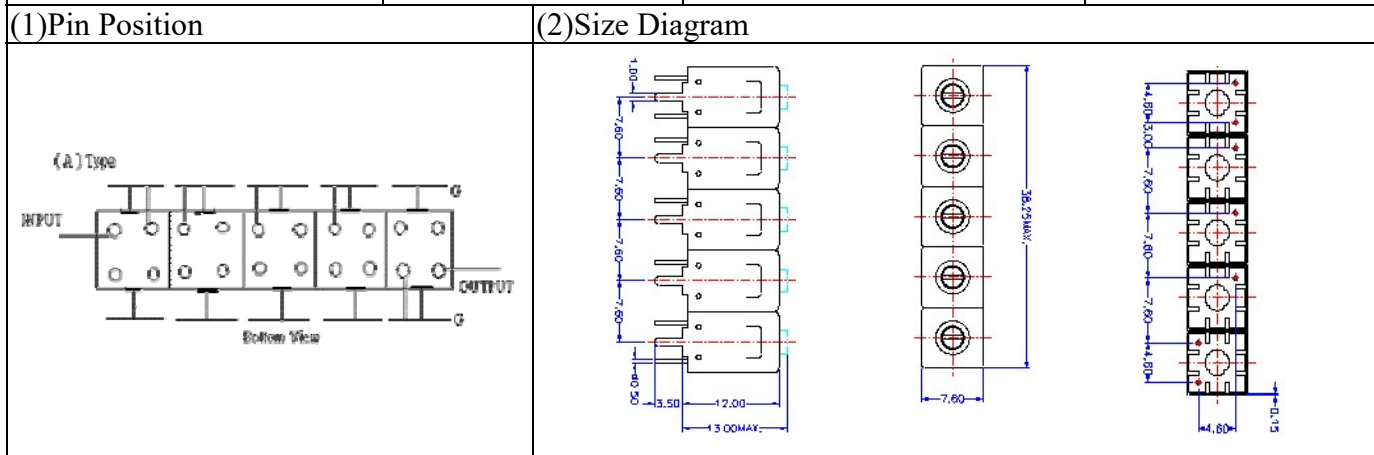


# VHF UHF Helical Filter Specification Sheet

Customer Name		Temwell's Part No.	TV70609A-927M
Approval No. /dated	202002030CD	Temwell's Print Name.	70609A 927M
Work Instruction No.	202002030CD	Date	Feb.24.2020



### (3)Electric Charasteric

Item	Specify	Performance	
Center Freq.(Fo ) +/- 0.5 %	927 MHz	927 MHz	
Insertion Loss	Typ. 3.0 dB	2.00 dB	
-3 dB Bandwidth	Typ. 60 MHz	65.8 MHz	
Sensitivity (Attenuation)	Fo - 150 MHz	Typ. 56 dBc	66 dBc
	Fo + 150 MHz	Typ. 57 dBc	67 dBc
	Fo - ( )MHz	Typ. dBc	dBc
	Fo +( )MHz	Typ. dBc	dBc
Return Loss	Min. 12 dB	21.4 dB	
Ripple	< 1 dB	dB	
Impedance	In / Out : 50 Ω	In / Out : 50 Ω	

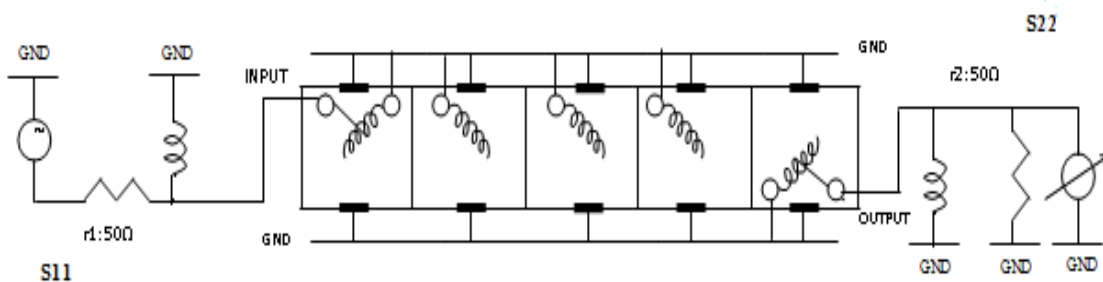
(4)Torque for Tuning Screw > 60gf • cm

(5)Temperature Condition:

Operating Temperature	0°C ~ +60°C
Storage Temperature	-20°C ~ +70°C

(6)Input Power > 1Watt

(7)Measuring Circuit: ※Easy to match Impedance S11/S22 50Ω by parallel with about(- -).



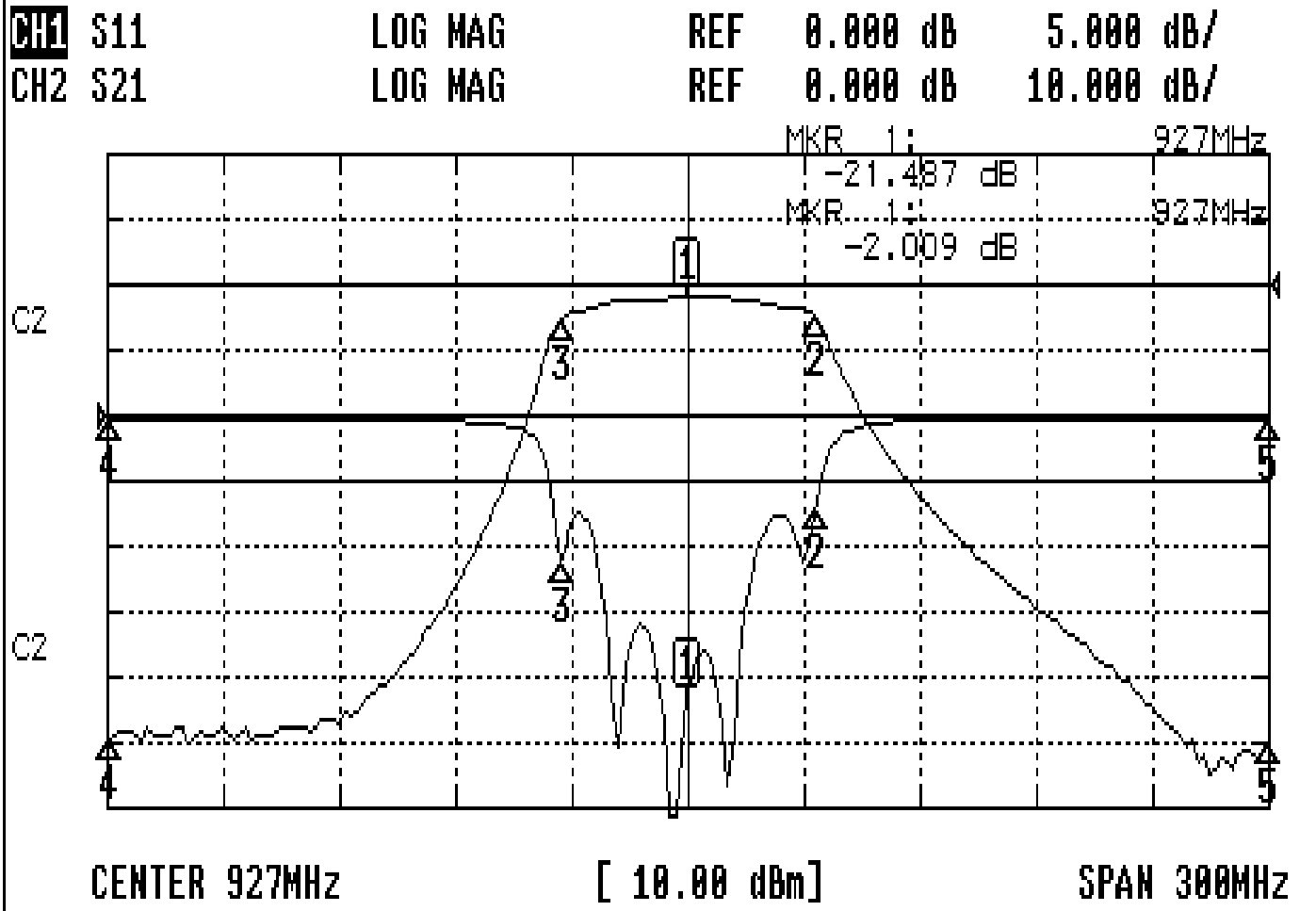
(Bottom View)

Approval	Supervisor	Designer	Aperture size
C.C.Chang	C.K.Chang	M.Y.Kang	7H5S(4*6.8)(6.83) 7H046LB5

TEMWELL CORPORATION

# Performance- TV70609A-927M

## 202002030CD



### CH1 MARKER LIST

1:	927.000MHz	-21.487	dB
2:	960.150MHz	-7.012	dB
3:	894.300MHz	-10.985	dB
4:	777.000MHz	-0.166	dB
1.077	000GHz	-0.177	dB

### CH2 MARKER LIST

1:	927.000MHz	-2.008	dB
2:	960.150MHz	-15.094	dB
3:	894.300MHz	-15.077	dB
4:	777.000MHz	-68.971	dB
1.077	000GHz	-69.757	dB