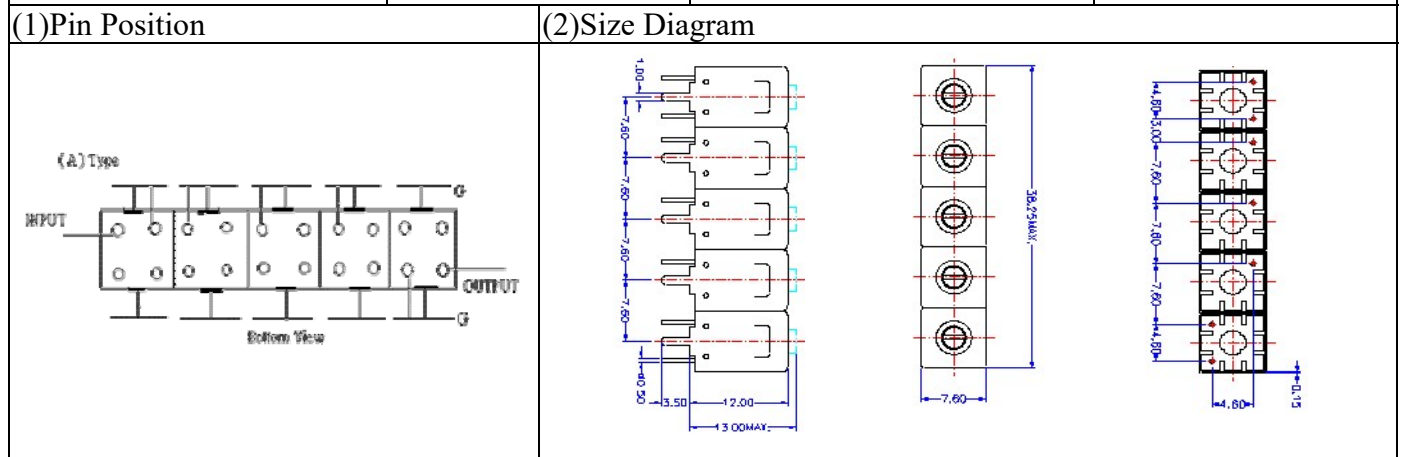


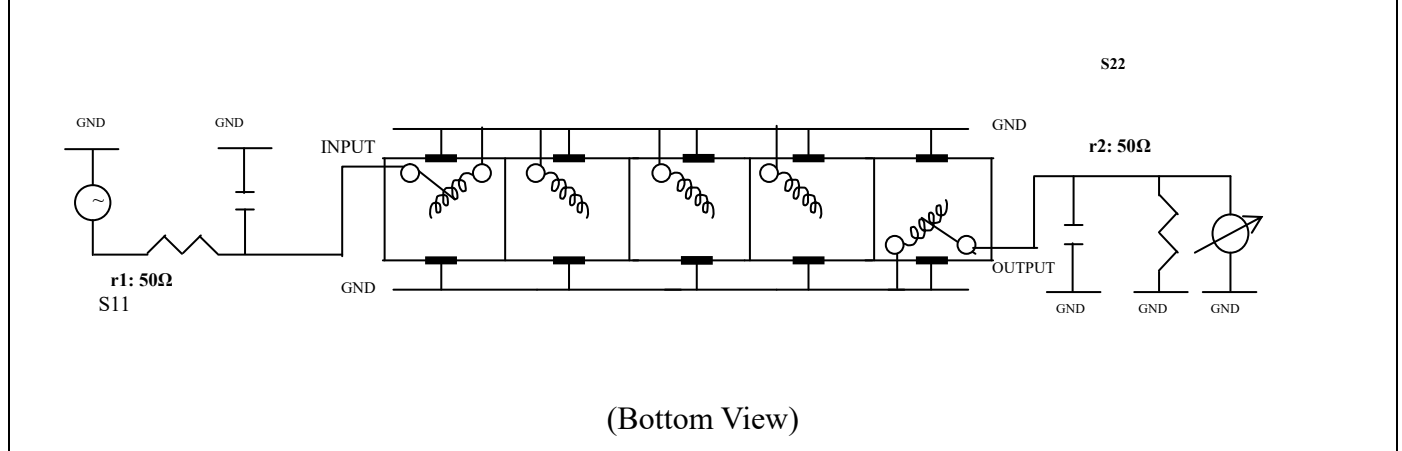
VHF UHF Helical Filter Specification Sheet

Customer Name		Temwell's Part No.	TV70632A-660M
Approval No. /dated		Temwell's Print Name.	70632A 660M
Work Instruction No.	202010037CD	Date	Nov.18.2020



(3)Electric Charasteric			
Item		Specify	Performance
Center Freq.(Fo) +/- 0.5 %		660 MHz	660 MHz
Insertion Loss		Typ. 6.5 dB	5.36 dB
-3 dB Bandwidth		Typ. 10 MHz	13.0 MHz
Sensitivity (Attenuation)	Fo - 50 MHz	Typ. 58 dBc	68 dBc
	Fo + 50 MHz	Typ. 58 dBc	68 dBc
	Fo - ()MHz	Typ. dBc	dBc
	Fo +()MHz	Typ. dBc	dBc
Return Loss		Min. 12 dB	25.5 dB
Ripple		< 1 dB	dB
Impedance		In / Out : 50 Ω	In / Out : 50 Ω
(4)Torque for Tuning Screw		> 60gf • cm	
(5)Temperature Condition:			
Operating Temperature		0°C ~ +60°C	
Storage Temperature		-20°C ~ +70°C	
(6)Input Power		> 1Watt	

(7)Measuring Circuit: ※Easy to match Impedance S11/S22 50Ω by parallel with about(- -).

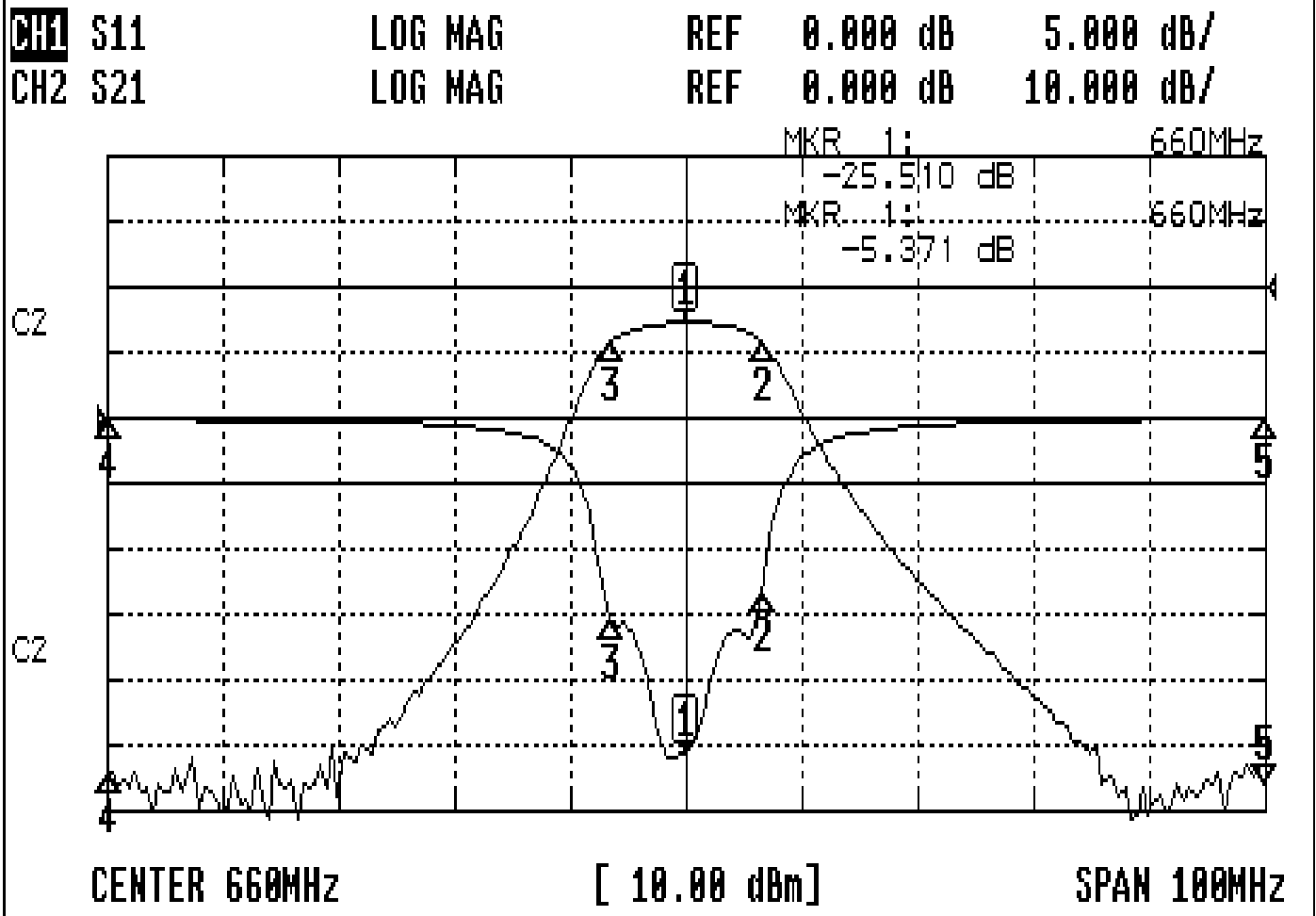


Approval	Supervisor	Designer	Aperture size
C.C.Chang	C.K.Chang	Z.Y.Wang	7H5S(4*5.35)(5.38) 7H046LB4.3 聚 3

TEMWELL CORPORATION

Performance- TV70632A-660M

202010037CD



CH1 MARKER LIST

1	660.000MHz	-25.510	dB
2	666.578MHz	-12.979	dB
3	653.520MHz	-15.393	dB
4	610.000MHz	-0.115	dB
5	710.000MHz	-0.096	dB

CH2 MARKER LIST

1	660.000MHz	-5.369	dB
2	666.578MHz	-8.370	dB
3	653.520MHz	-8.383	dB
4	610.000MHz	-74.275	dB
5	710.000MHz	-73.775	dB