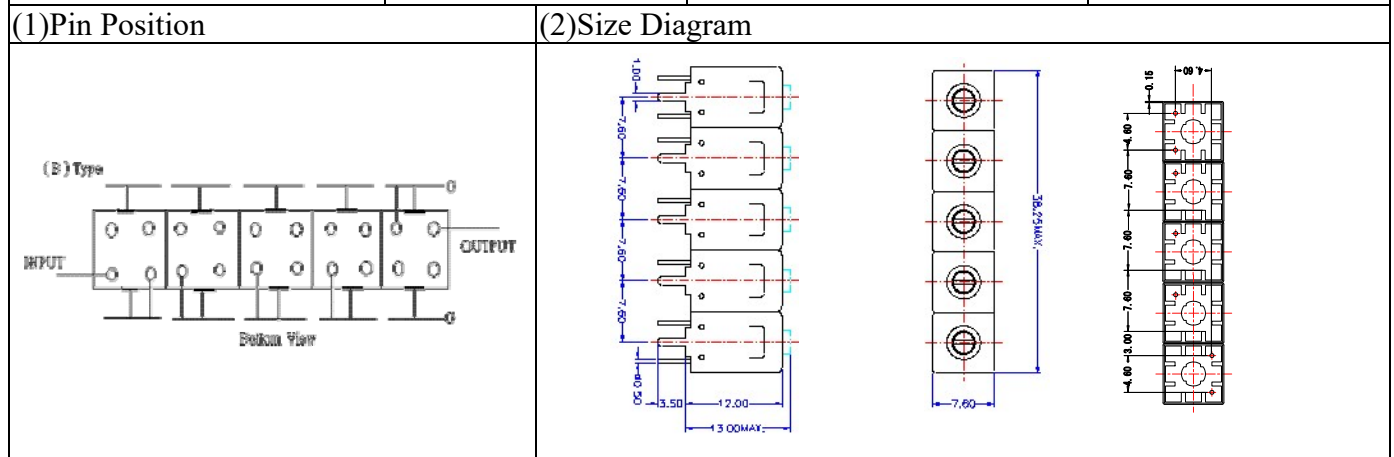


# VHF UHF Helical Filter Specification Sheet

Customer Name		Temwell's Part No.	TV70649B-476.8M
Approval No. /dated		Temwell's Print name.	70649B 476.8M
Work Instruction No.	202010024CD	Date	Nov.18.2020



Item		Specify	Performance
Center Freq.(Fo) +/- 0.5 %		476.8 MHz	476.8 MHz
Insertion Loss		Typ. 2.5 dB	1.59 dB
-3 dB Bandwidth		Typ. 40 MHz	41.6 MHz
Sensitivity (Attenuation)	Fo - 50 MHz	Typ. 50 dBc	54 dBc
	Fo + 50 MHz	Typ. 35 dBc	38 dBc
	Fo - ( )MHz	Typ. dBc	dBc
	Fo +( )MHz	Typ. dBc	dBc
Return Loss		Min. 12 dB	17.5 dB
Ripple		< 1 dB	dB
Impedance		In / Out : 50 Ω	In / Out : 50 Ω

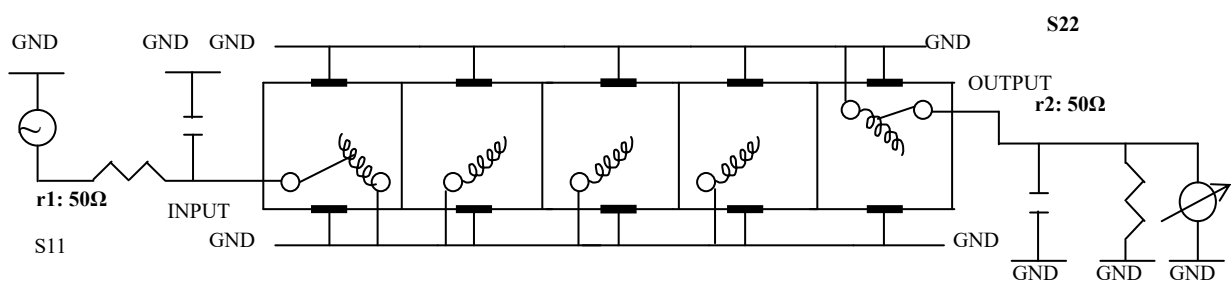
(4) Torque for Tuning Screw > 60gf · cm

(5) Temperature Condition:

Operating Temperature	0°C ~ +60°C
Storage Temperature	-20°C ~ +70°C

(6) Input Power > 1Watt

(7) Measuring Circuit: ※Easy to match Impedance S11/S22 50Ω by parallel with about(- -).



(Bottom View)

Approval	Supervisor	Designer	Aperture size
C.C.Chang	C.K.Chang	P.H.Chiang	7H5S(4*6.35)(6.39) 7H046LB5

TEMWELL CORPORATION

# Performance-TV70649B-476.8M

## 202010024CD

