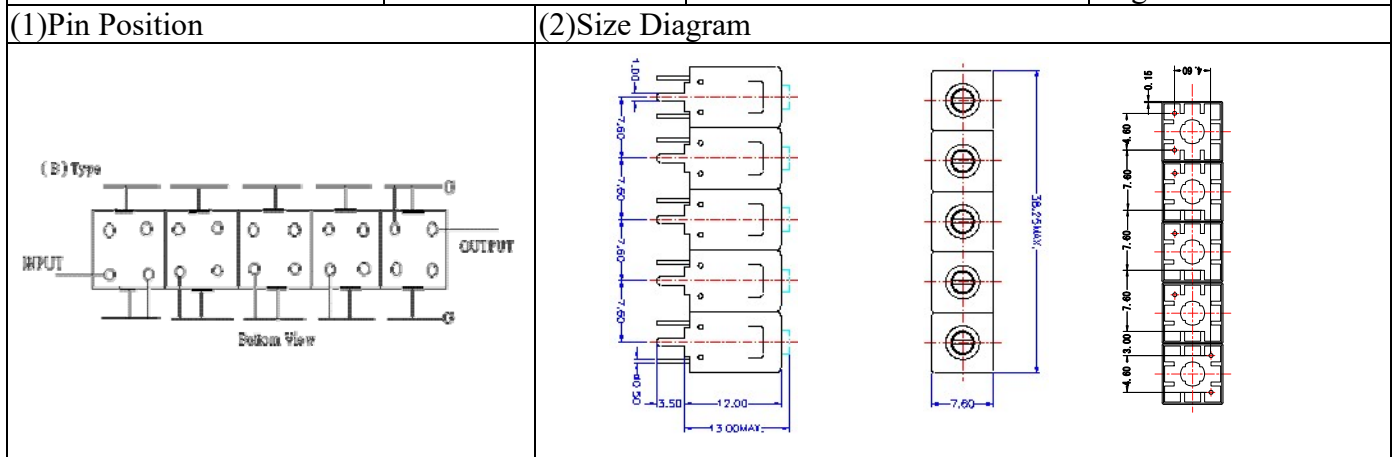


# VHF UHF Helical Filter Specification Sheet

Customer Name		Temwell's Part No.	TV70652B-725M
Approval No. /dated		Temwell's Print name.	70652B 725M
Work Instruction No.	202008013CD	Date	Aug.20.2020



### (3)Electric Charasteric

Item	Specify	Performance
Center Freq.(Fo ) +/- 0.5 %	725 MHz	725 MHz
Insertion Loss	Typ. 3.0 dB	1.79 dB
-3 dB Bandwidth	Typ. 55 MHz	58.2 MHz
Sensitivity (Attenuation)	Fo - 50 MHz	Typ. 33 dBc
	Fo + 50 MHz	Typ. 20 dBc
	Fo - ( )MHz	Typ. dBc
	Fo +( )MHz	Typ. dBc
Return Loss	Min. 12 dB	17.7 dB
Ripple	< 1 dB	dB
Impedance	In / Out : 50 Ω	In / Out : 50 Ω

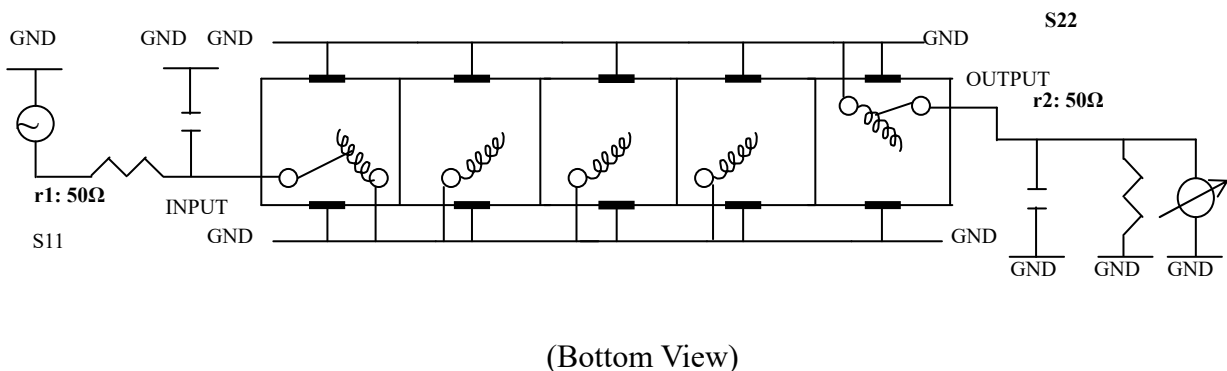
(4)Torque for Tuning Screw > 60gf • cm

(5)Temperature Condition:

Operating Temperature	0°C ~ +60°C
Storage Temperature	-20°C ~ +70°C

(6)Input Power > 1 Watt

(7)Measuring Circuit: ※Easy to match Impedance S11/S22 50Ω by parallel with about(- -).



Approval	Supervisor	Designer	Aperture size
C.C.Chang	C.K.Chang	C.H.Yeh	7H5S(4*6.5)(6.52) 7H046RB5.5(J1)

TEMWELL CORPORATION

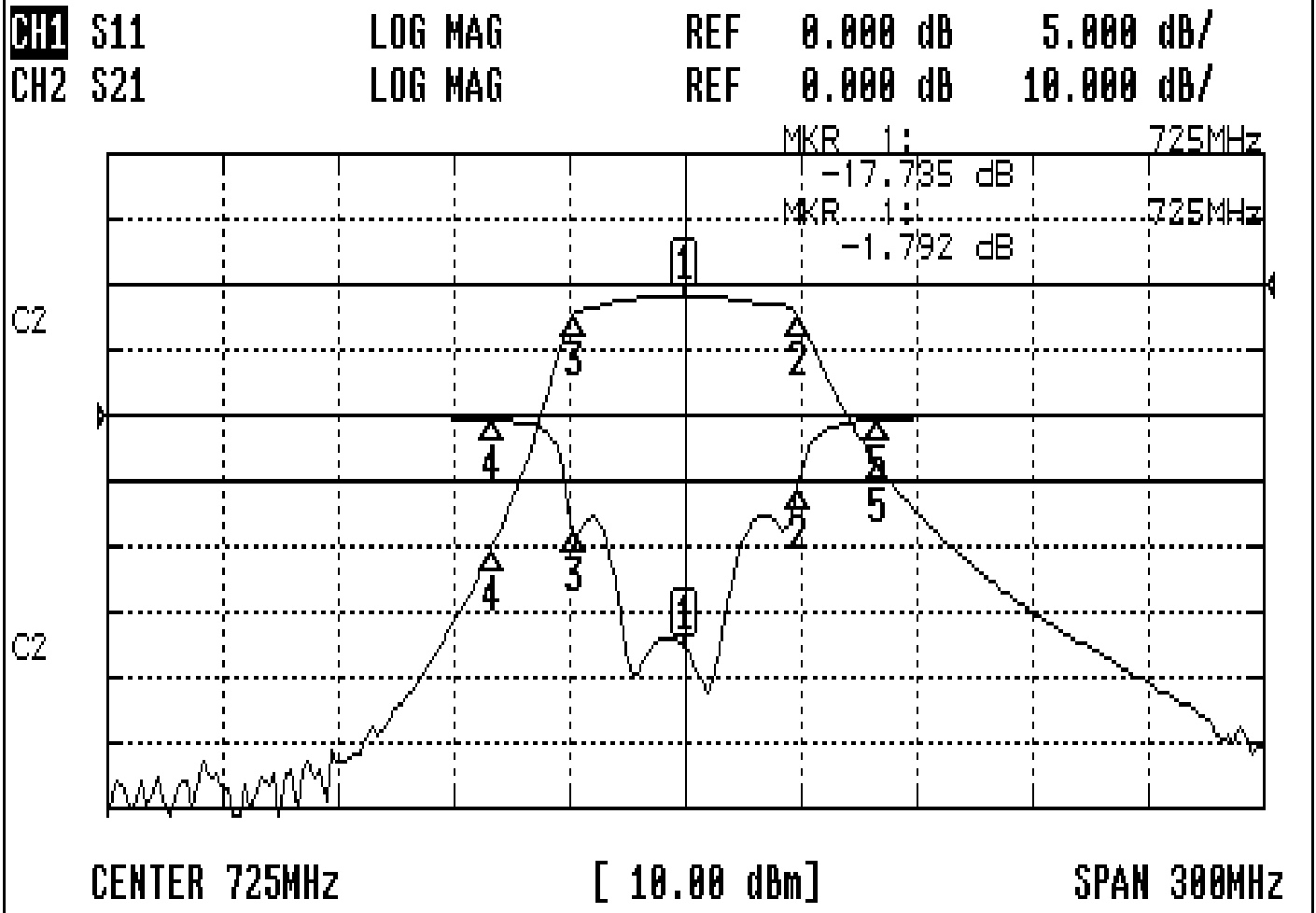
TEMWELL

Form10-7H5B Vision D

RP(C.H.Y)

# Performance-TV70652-725M

## 202008013CD



### CH1 MARKER LIST

Marker	Frequency (MHz)	Magnitude (dB)
1:	725.000MHz	-17.735 dB
2:	754.150MHz	-15.738 dB
3:	695.900MHz	-18.579 dB
4:	675.000MHz	-10.280 dB
5:	775.000MHz	-10.279 dB

### CH2 MARKER LIST

Marker	Frequency (MHz)	Magnitude (dB)
1:	725.000MHz	-1.792 dB
2:	754.150MHz	-4.810 dB
3:	695.900MHz	-4.799 dB
4:	675.000MHz	-40.304 dB
5:	775.000MHz	-27.359 dB