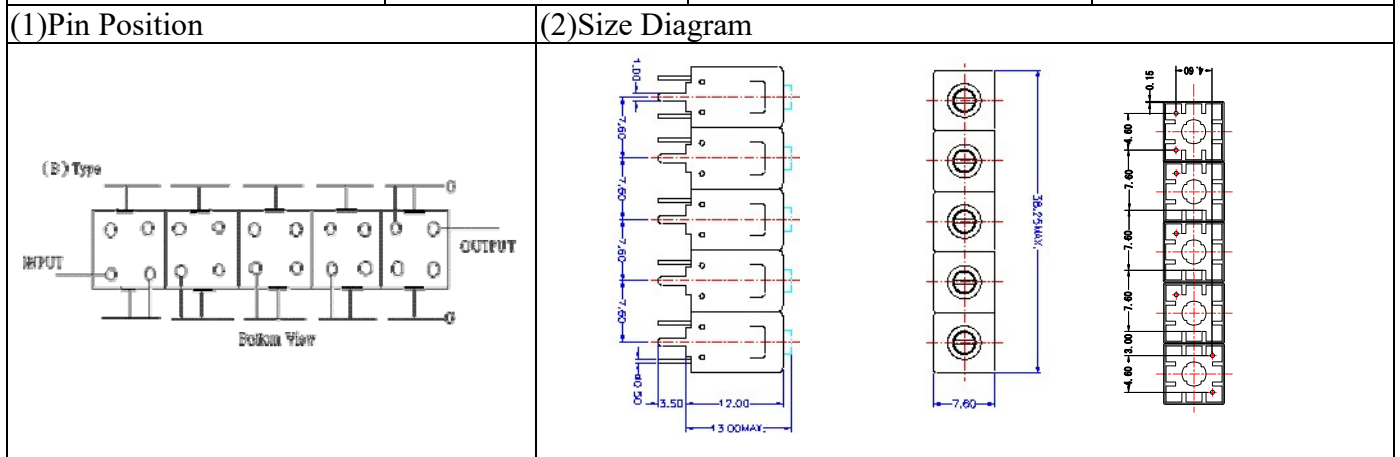


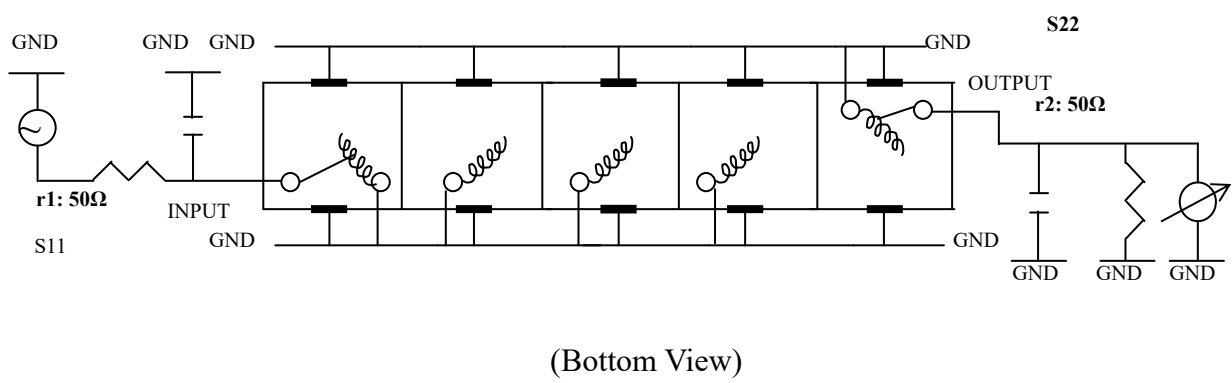
VHF UHF Helical Filter Specification Sheet

Customer Name		Temwell's Part No.	TV70655B2-870M
Approval No. /dated	202002015CD	Temwell's Print name.	70655B2 870M
Work Instruction No.	202002015CD	Date	Feb.12.2020



(3)Electric Charasteric			
Item	Specify	Performance	
Center Freq.(Fo) +/- 0.5 %	870 MHz	870	MHz
Insertion Loss	Typ. 4.5 dB	3.62	dB
-3 dB Bandwidth	Typ. 27 MHz	29.4	MHz
Sensitivity (Attenuation)	Fo - 50 MHz	Typ. 55	dBc
	Fo + 50 MHz	Typ. 45	dBc
	Fo - ()MHz	Typ.	dBc
	Fo +()MHz	Typ.	dBc
Return Loss	Min. 12 dB	28.2	dB
Ripple	< 1 dB		dB
Impedance	In / Out : 50 Ω	In / Out : 50 Ω	
(4)Torque for Tuning Screw	> 60gf • cm		
(5)Temperature Condition:			
Operating Temperature	0°C ~ +60°C		
Storage Temperature	-20°C ~ +70°C		
(6)Input Power	> 1Watt		

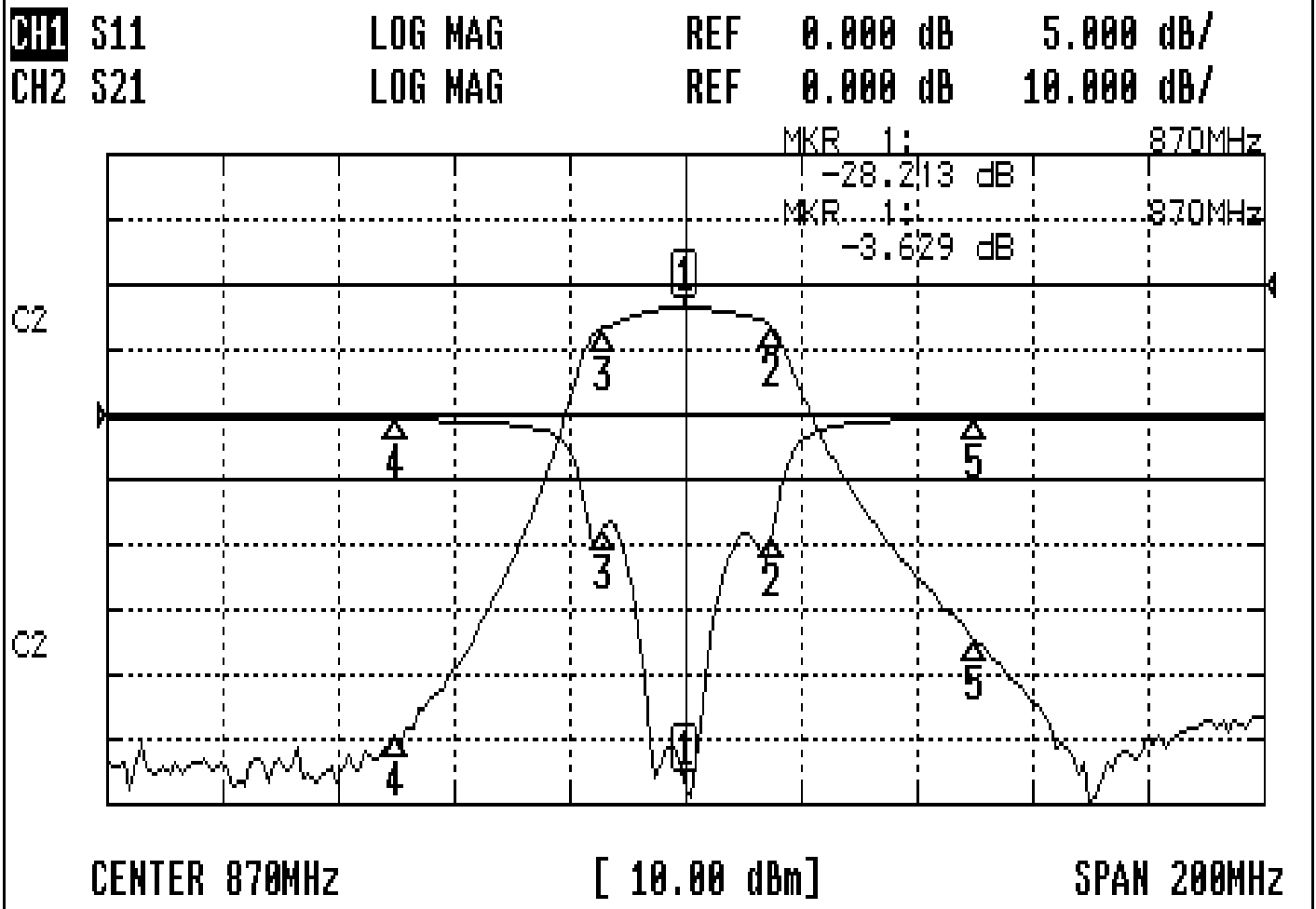
(7)Measuring Circuit: ※Easy to match Impedance S11/S22 50Ω by parallel with about(- -).



Approval	Supervisor	Designer	Aperture size
C.Y.Chang	C.K.Chang	M.Y.Kang	7H5S(4*6.5)(6.58) 7H046RB4
TEMWELL CORPORATION			

Performance-TV70655B2-870M

202002015CD



CH1 MARKER LIST

Marker	Frequency (MHz)	Magnitude (dB)	Phase (deg)
1	870.000	-28.213	0.000
2	885.130	0.000	0.000
3	895.730	0.000	0.000
4	920.000	0.000	0.000
5	920.000	0.269	0.000

CH2 MARKER LIST

Marker	Frequency (MHz)	Magnitude (dB)	Phase (deg)
1	870.000	-3.629	0.000
2	885.130	0.000	0.000
3	895.730	0.000	0.000
4	920.000	0.000	0.000
5	920.000	0.000	0.000