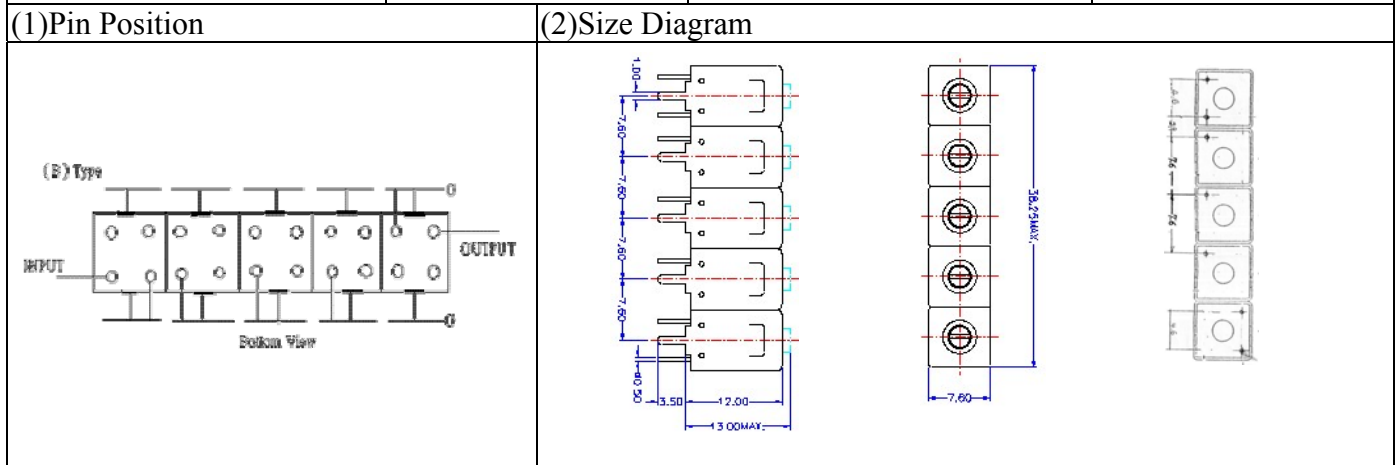


# VHF UHF Helical Filter Specification Sheet

|                      |             |                       |               |
|----------------------|-------------|-----------------------|---------------|
| Customer Name        |             | Temwell's Part No.    | TV7099B-396M  |
| Approval No. /dated  | 201105075CD | Temwell's Print Name. | 7099B<br>396M |
| Work Instruction No. | 201105075CD | Date                  | Jun.09.2011   |



(3) Electric Characteristic

| Item                         | Specify         | Performance     |        |
|------------------------------|-----------------|-----------------|--------|
| Center Freq.(Fo) +/- 0.5 %   | 396 MHz         | 396 MHz         |        |
| Insertion Loss               | Typ. 4.0 dB     | 3.23 dB         |        |
| -3 dB Bandwidth              | Typ. 19 MHz     | 21.4 MHz        |        |
| Sensitivity<br>(Attenuation) | Fo - 50 MHz     | Typ. 69 dBc     | 87 dBc |
|                              | Fo + 50 MHz     | Typ. 49 dBc     | 62 dBc |
|                              | Fo - ( )MHz     | Typ. dBc        | dBc    |
|                              | Fo +( )MHz      | Typ. dBc        | dBc    |
| Return Loss                  | Min. 12 dB      | 22.0 dB         |        |
| Ripple                       | < 1 dB          | dB              |        |
| Impedance                    | In / Out : 50 Ω | In / Out : 50 Ω |        |

(4) Torque for Tuning Screw

> 60gf · cm

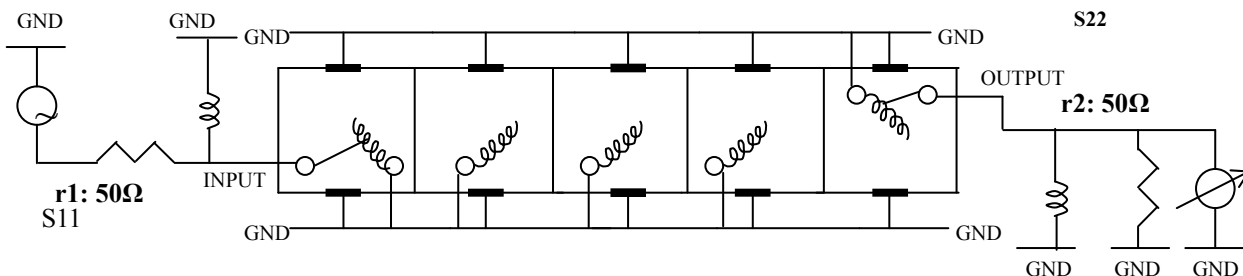
(5) Temperature Condition:

|                       |               |
|-----------------------|---------------|
| Operating Temperature | 0°C ~ +60°C   |
| Storage Temperature   | -20°C ~ +70°C |

(6) Input Power

> 1Watt

(7) Measuring Circuit: ※Easy to match Impedance S11/S22 50Ω by parallel with about(--).



(Bottom View)

|           |            |          |                                     |
|-----------|------------|----------|-------------------------------------|
| Approval  | Supervisor | Designer | Aperture size                       |
| C.Y.Chang | C.K.Chang  | M.Y.Kang | 7H5S(4*7.5)(7.55)<br>7H046LB4.3 聚 3 |

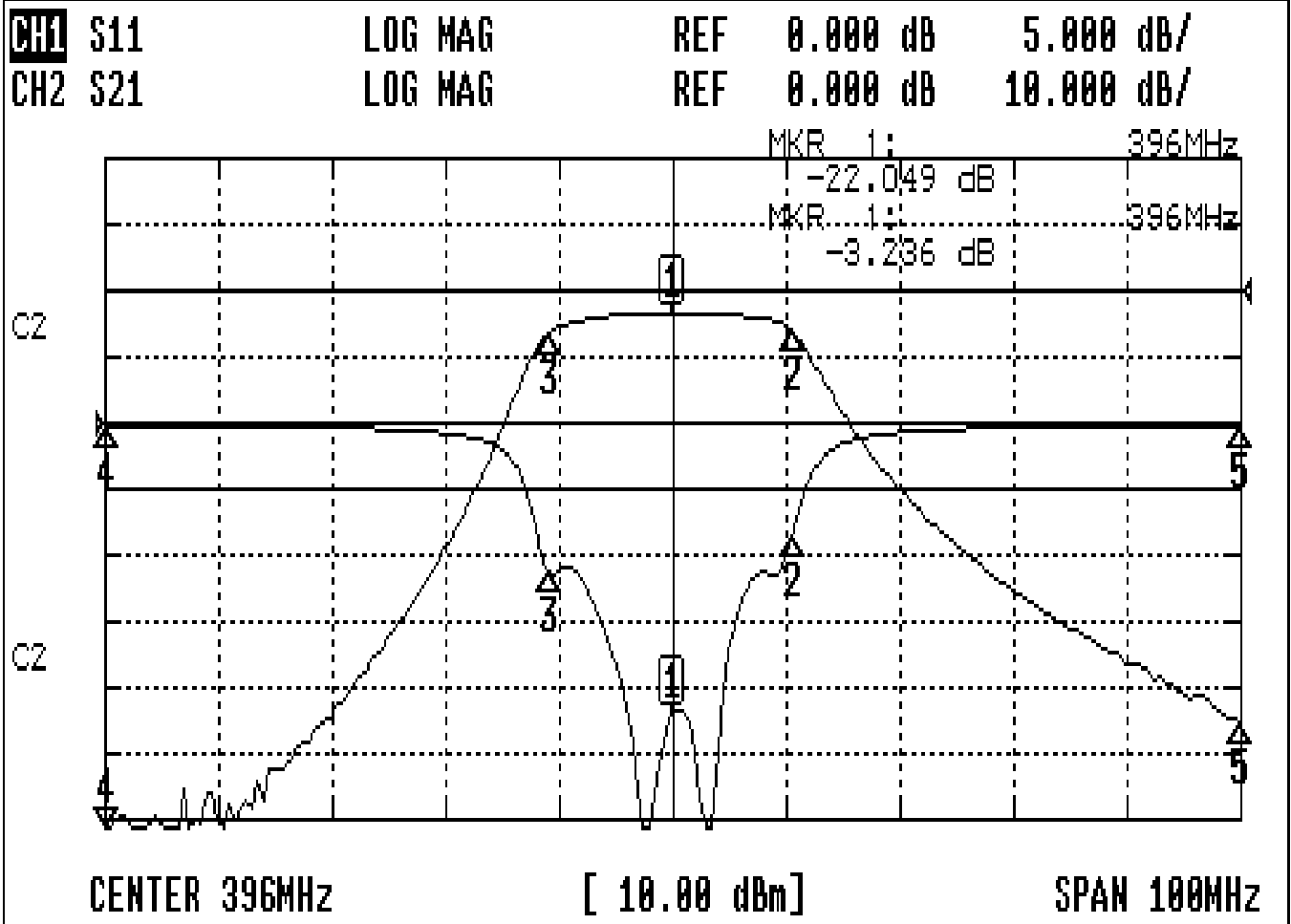
TEMWELL CORPORATION

TEMWELL

Form10-7H5B Vision D RP(M.Y)

# Performance-TV7099B-396M

## 201105075CD



### CH1 MARKER LIST

|    |            |         |    |
|----|------------|---------|----|
| 1: | 396.000MHz | -22.049 | dB |
| 2: | 406.583MHz | -8.558  | dB |
| 3: | 385.166MHz | -11.347 | dB |
| 4: | 346.000MHz | -0.183  | dB |
| 5: | 446.000MHz | -0.210  | dB |

### CH2 MARKER LIST

|    |            |         |    |
|----|------------|---------|----|
| 1: | 396.000MHz | -3.236  | dB |
| 2: | 406.583MHz | -16.282 | dB |
| 3: | 385.166MHz | -16.274 | dB |
| 4: | 346.000MHz | -90.390 | dB |
| 5: | 446.000MHz | -65.472 | dB |