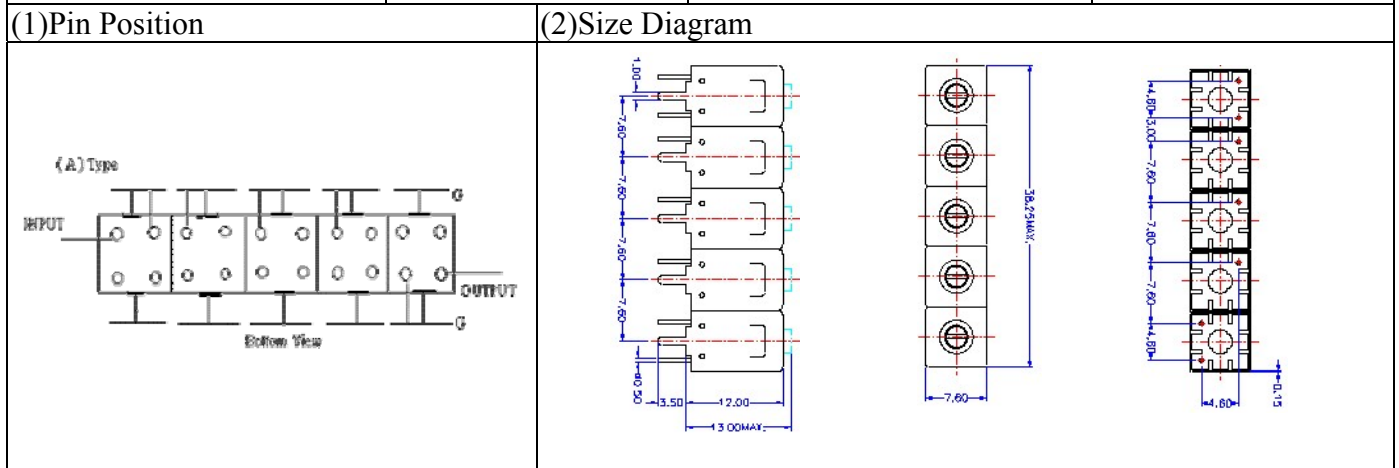


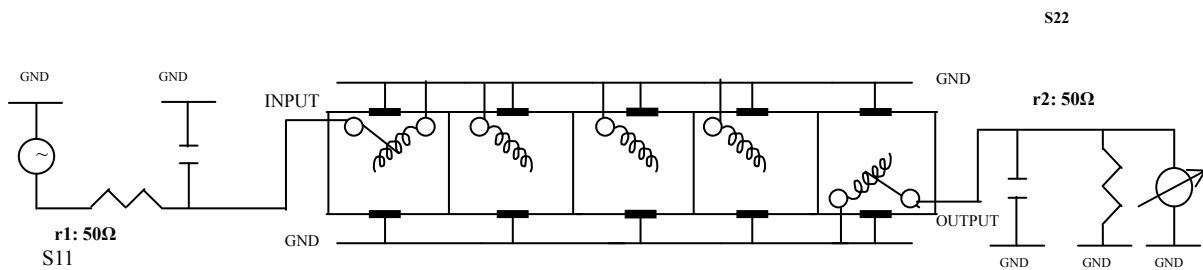
# VHF UHF Helical Filter Specification Sheet

Customer Name		Temwell's Part No.	TVL70643A-1170M
Approval No. /dated	201105081CD	Temwell's Print Name.	70643A 1170M
Work Instruction No.	201105081CD	Date	Jul.29.2011



(3) Electric Characteristic			
Item		Specify	Performance
Center Freq.(Fo ) +/- 0.5 %		1170 MHz	1170 MHz
Insertion Loss		Typ. 5.5 dB	3.82 dB
-3 dB Bandwidth		Typ. 25 MHz	30.8 MHz
Sensitivity (Attenuation )	Fo - 50 MHz	Typ. 47 dBc	65 dBc
	Fo + 50 MHz	Typ. 37 dBc	49 dBc
	Fo - ( )MHz	Typ. dBc	dBc
	Fo +( )MHz	Typ. dBc	dBc
Return Loss		Min. 12 dB	29.0 dB
Ripple		< 1 dB	dB
Impedance		In / Out : 75 Ω	In / Out : 75 Ω
(4) Torque for Tuning Screw > 60gf · cm			
(5) Temperature Condition:			
Operating Temperature		0°C ~ +60°C	
Storage Temperature		-20°C ~ +70°C	
(6) Input Power		> 1Watt	

(7) Measuring Circuit: ※Easy to match Impedance S11/S22 75Ω by parallel with about( -- ) / ( -- ).



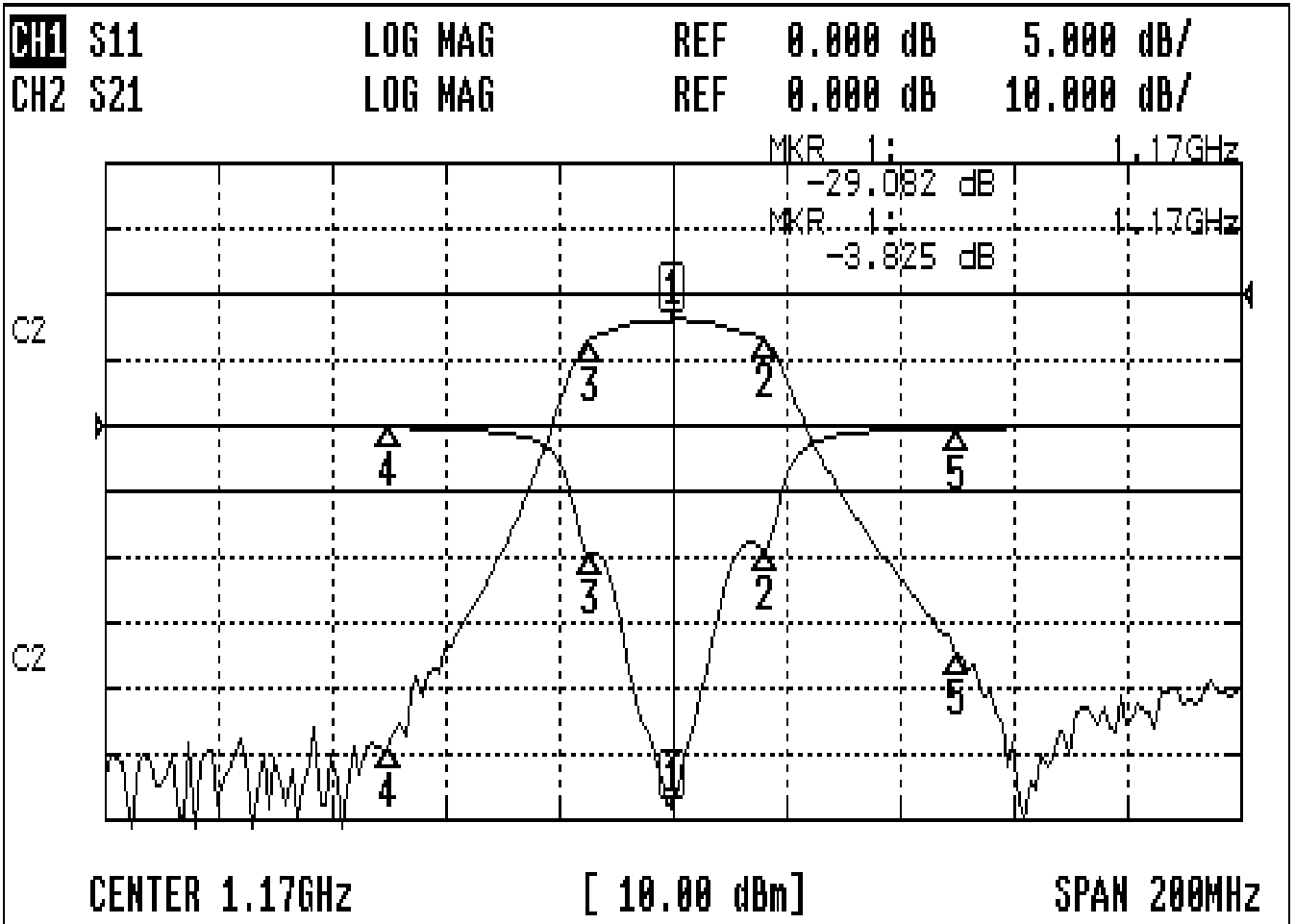
(Bottom View)

Approval	Supervisor	Designer	Aperture size
C.Y.Chang	C.K.Chang	F.L.Lai	7H5S(4*5.5)(5.54) 7H046LB4.3 聚 3

TEMWELL CORPORATION

# Performance-TVL70643A-1170M

## 201105081CD



### CH1 MARKER LIST

1	1.170	000	GHz	-29.082	dB
2	1.186	166	GHz	-19.409	dB
3	1.155	333	GHz	-10.721	dB
4	1.120	000	GHz	-0.094	dB
5	1.220	000	GHz	-0.184	dB

### CH2 MARKER LIST

1	1.170	000	GHz	-3.825	dB
2	1.186	166	GHz	-1.100	dB
3	1.155	333	GHz	0.000	dB
4	1.120	000	GHz	0.000	dB
5	1.220	000	GHz	0.000	dB