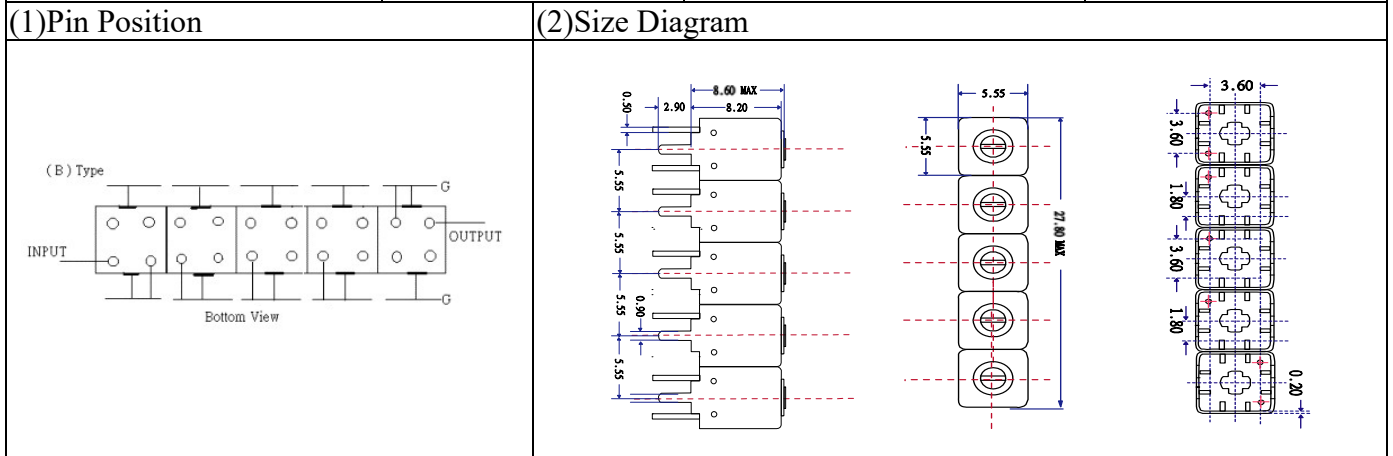


VHF UHF Helical Filter Specification Sheet

Customer Name		Temwell's Part No.	TVW5409B-1960M
Approval No. /dated		Temwell,s print Name	5409B 1960M
Work Instruction No.	201911070CD	Date	Nov.29.2019



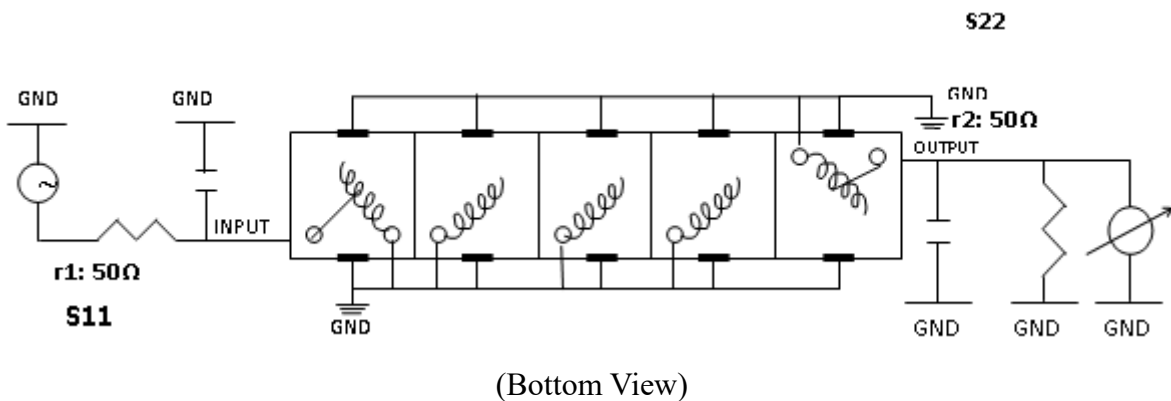
(3) Electric Chararestic					
Item		Specify		Performance	
Center Freq.(Fo) +/- 0.5 %		1960 MHz		1960 MHz	
Insertion Loss		Typ. 5.5 dB		4.35 dB	
-3 dB Bandwidth		Typ. 60 MHz		63.2 MHz	
Sensitivity (Attenuation)	Fo - 100 MHz	Typ. 50 dBc		55 dBc	
	Fo + 100 MHz	Typ. 44 dBc		49 dBc	
	Fo - ()MHz	Typ. dBc		dBc	
	Fo +()MHz	Typ. dBc		dBc	
Return Loss		Min. 12 dB		23.2 dB	
Ripple		< 1 dB		dB	
Impedance		In / Out : 50 Ω		In / Out : 50 Ω	

(4) Torque for Tuning Screw > 60gf • cm

(5) Temperature Condition:	
Operating Temperature	0°C ~ +60°C
Storage Temperature	-20°C ~ +70°C

(6) Input Power > 0.5Watt

(7) Measuring Circuit: ※Easy to match Impedance S11/S22 50Ω by parallel with about(- -).

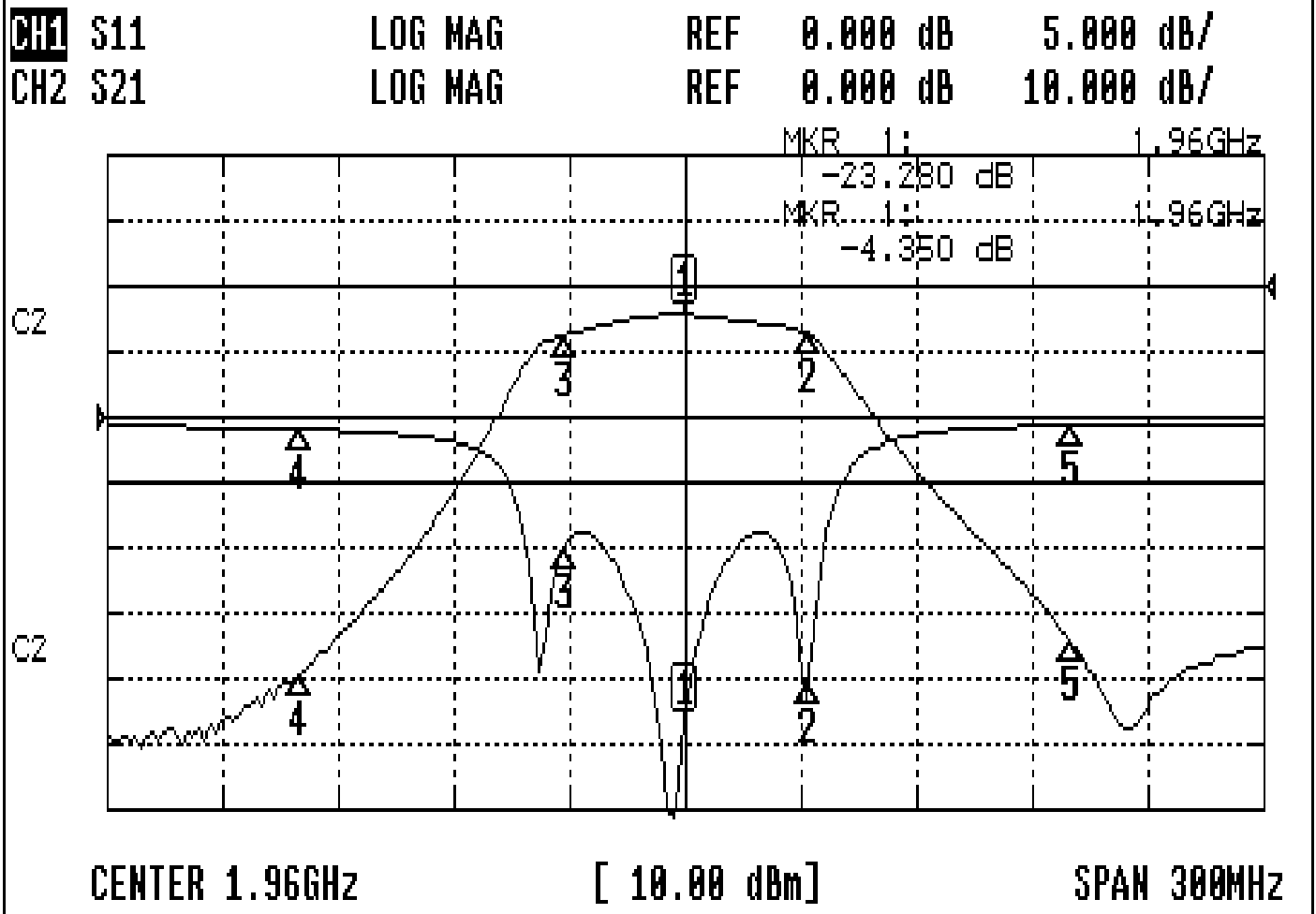


Approval	Supervisor	Designer	Aperture size
C.Y.Chang	C.K.Chang	M.Y.Kang	5W5S(3.8*4.0)(4.03) 5HW046RB3.2 (J1)

TEMWELL CORPORATION

Performance-TVW5409B-1960M

201911070CD



CH1 MARKER LIST

1:	1.960	000GHz	-23.280	dB
2:	1.992	000GHz	-20.285	dB
3:	1.928	750GHz	-9.909	dB
4:	1.860	000GHz	-0.920	dB
5:	2.060	000GHz	-0.631	dB

CH2 MARKER LIST

1:	1.960	000GHz	-4.355	dB
2:	1.992	000GHz	-7.382	dB
3:	1.928	750GHz	-7.374	dB
4:	1.860	000GHz	-59.512	dB
5:	2.060	000GHz	-54.121	dB