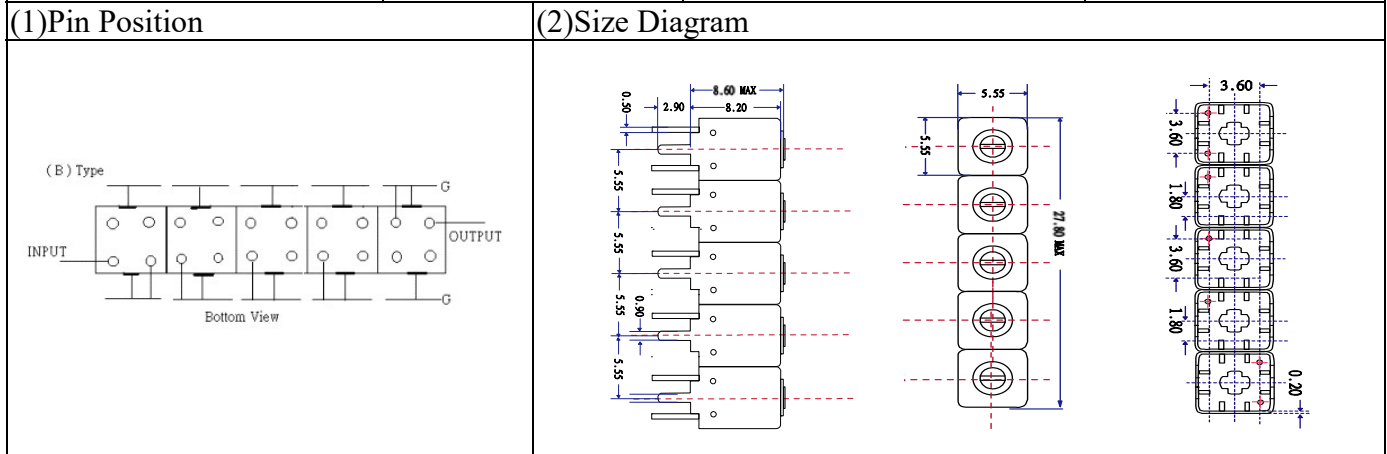


VHF UHF Helical Filter Specification Sheet

Customer Name		Temwell's Part No.	TVW5410B-1747.5M
Approval No. /dated		Temwell,s print Name	5410B 1747.5M
Work Instruction No.	201911071CD	Date	Dec.06.2019



(3) Electric Charasteric

Item	Specify	Performance	
Center Freq.(Fo) +/- 0.5 %	1747.5 MHz	1747.5 MHz	
Insertion Loss	Typ. 5.0 dB	3.77 dB	
-3 dB Bandwidth	Typ. 75 MHz	79.9 MHz	
Sensitivity (Attenuation)	Fo - 100 MHz	Typ. 49 dBc	54 dBc
	Fo + 100 MHz	Typ. 38 dBc	43 dBc
	Fo - ()MHz	Typ. dBc	dBc
	Fo +()MHz	Typ. dBc	dBc
Return Loss	Min. 12 dB	14.3 dB	
Ripple	< 1 dB	dB	
Impedance	In / Out : 50 Ω	In / Out : 50 Ω	

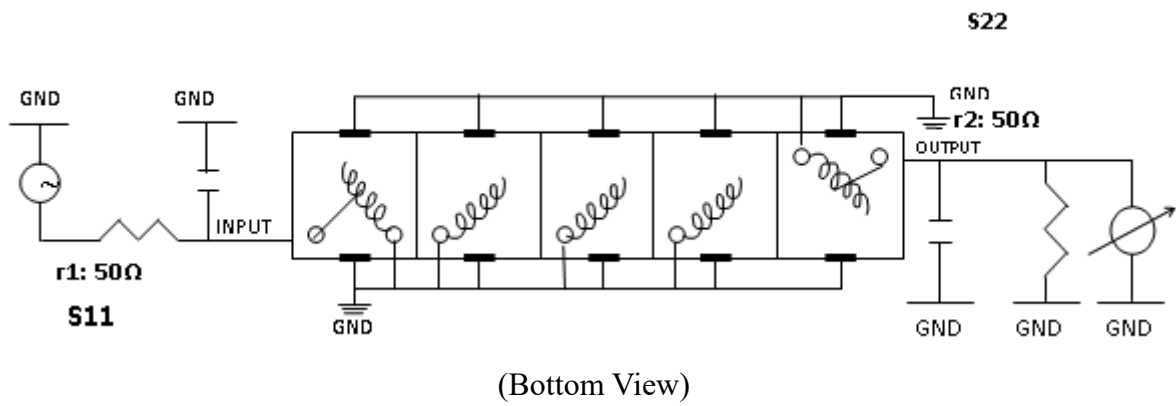
(4) Torque for Tuning Screw > 60gf • cm

(5) Temperature Condition:

Operating Temperature	0°C ~ +60°C
Storage Temperature	-20°C ~ +70°C

(6) Input Power > 0.5Watt

(7) Measuring Circuit: ※Easy to match Impedance S11/S22 50Ω by parallel with about(- -).

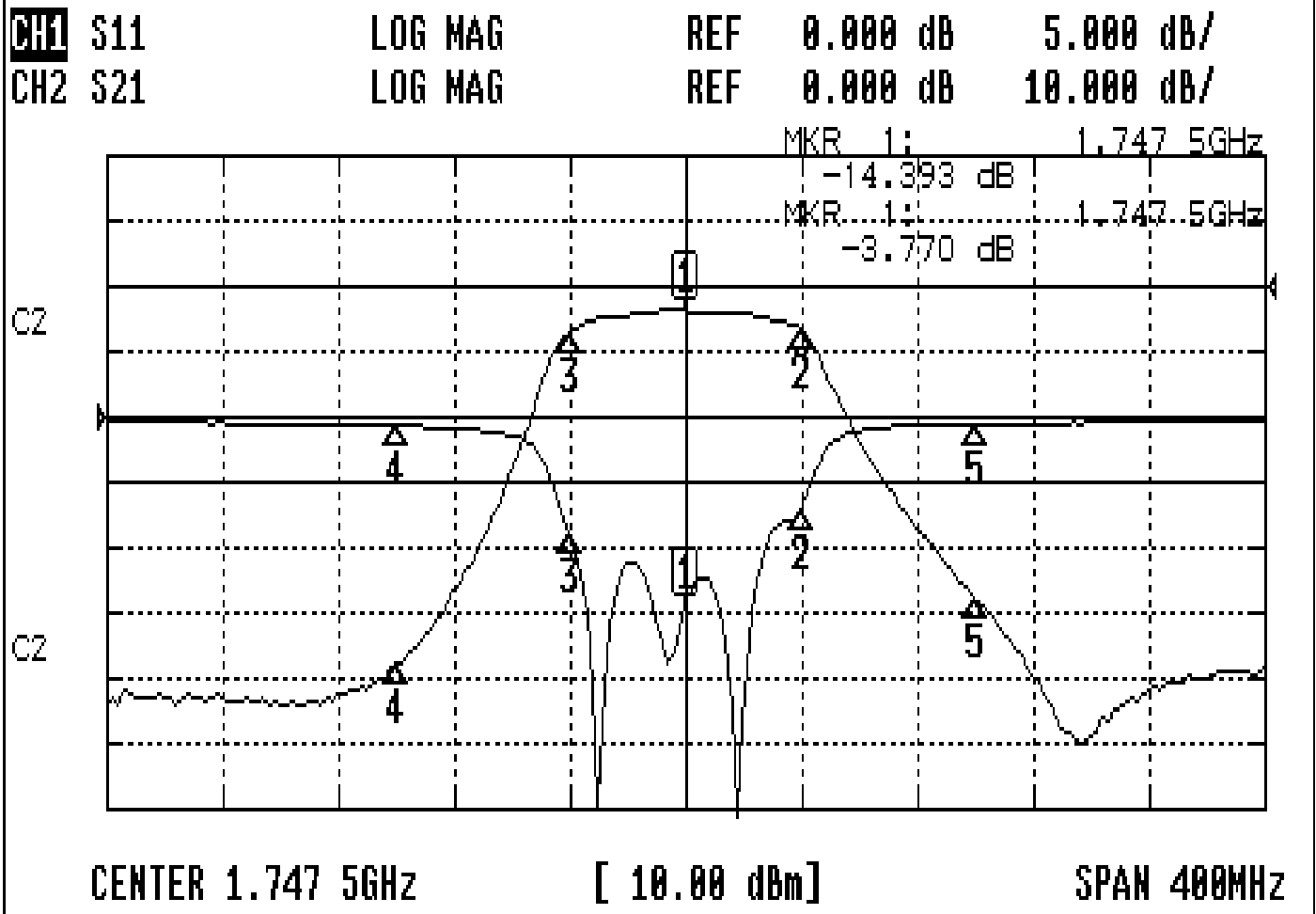


Approval	Supervisor	Designer	Aperture size
C.Y.Chang	C.K.Chang	M.Y.Kang	5W5S(3.8*4.5)(4.54) 5HW046RB3.2 (J1)

TEMWELL CORPORATION

Performance-TVW5410B-1747.5M

201911071CD



CH1 MARKER LIST

Marker	Freq (GHz)	Magnitude (dB)
1	1.747	-14.393
2	1.787	-7.040
3	1.707	-9.008
4	1.647	-0.657
5	1.847	-0.517

CH2 MARKER LIST

Marker	Freq (GHz)	Magnitude (dB)
1	1.747	-3.773
2	1.787	-16.712
3	1.707	-11.789
4	1.647	-5.088
5	1.847	-47.645